

FOOT VALVE L 3/4 4-6-10 WITH FILTER

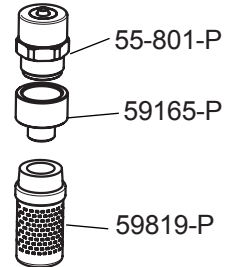
FOOT VALVE L 3/4 4-6-10 WITH PP FILTER

Technical features

Max. Flow:	60 l/h
Thread connection:	3/4"
Hose connection:	4x6 / 6x12 / 10x12 (Øin x Øout mm)
Material:	PP/FPM/ Borosilicate

List of parts

18-842-P	Foot valve 4-6-10 with PP filter
55-801-P	Discharge check valve 3/4 PP
59165-P	Adapter 3/4 - 3/8 PP
59819-P	Foot check valve 3/8" PP



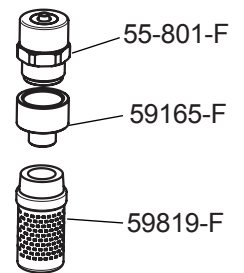
FOOT VALVE L 3/4 4-6-10 WITH PVDF FILTER

Technical features

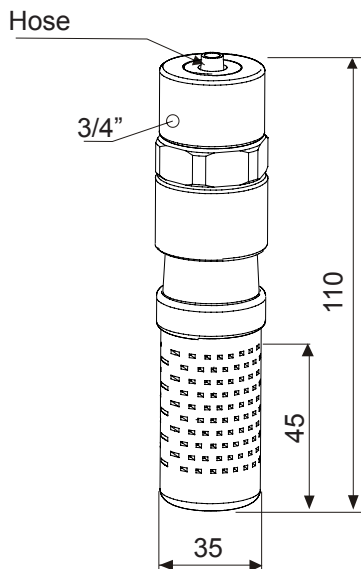
Max. Flow:	60 l/h
Thread connection:	3/4"
Hose connection:	4x6 / 6x12 / 10x12 (Øin x Øout mm)
Material:	PVDF/FPM/ Borosilicate

List of parts

18-842-F	Foot valve 4-6-10 with PVDF filter
55-801-F	Discharge check valve 3/4 PVDF
59165-F	Adapter 3/4 - 3/8 PVDF
59819-F	Foot check valve 3/8" PVDF



DIMENSIONS



Max. flow	4 l/h	13 l/h		60 l/h
Hose	4x6	6x8	6x12	10x12
Flanges	55826-P	60878.1-P	60877.1-P	
Spikes	55825-P	55827-P	55829-P	

