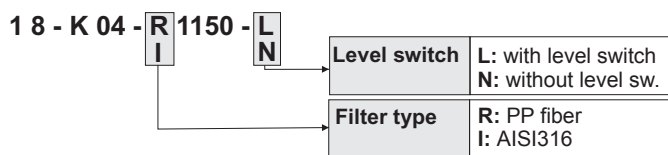
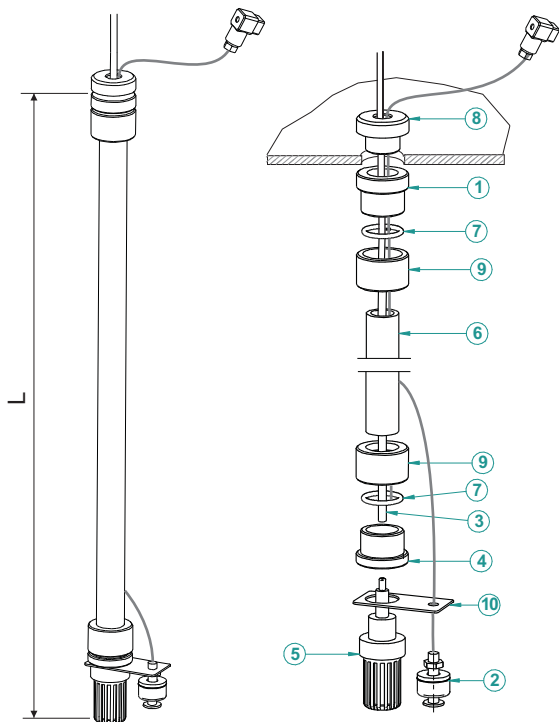


SUCTION LANCE 4x6

CODE



SUCTION LANCE 4x6 WITH FILTER PP



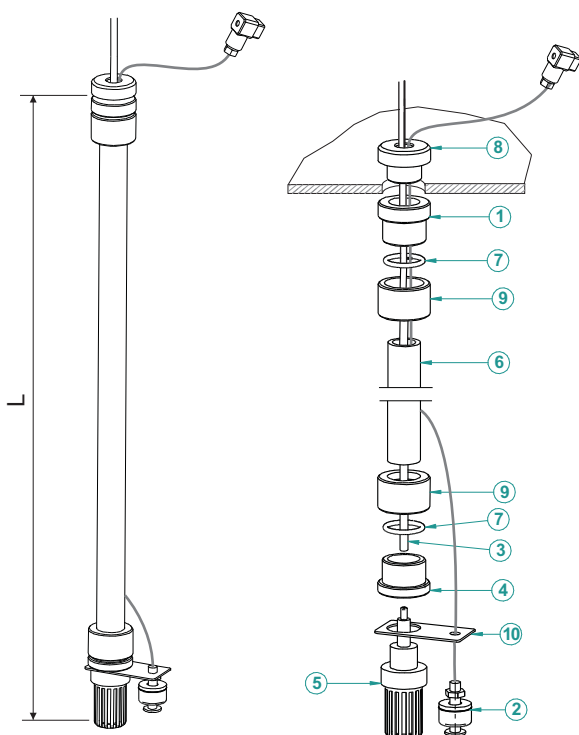
Technical features

Connection.....manguera 4x6
 Materials.....PP / FPM / PVC
 Hole diameter in tank.....27-30mm
 Suction line.....DN4
 L.....1150mm
 Foot valve with filter
 Filter with PP fiber

List of parts

18-K04-R1150-L (59-860) SUCTION LANCE 4x6 WITH FILTER PP AND SWITCH			
Nº	CODE	DESCRIPTION	QTY.
1	60872-P	SUCTION LANCE 25X3/4 CONNECTION	1
2*	18311	SWITCH LEVEL SENSOR	1
3	18356	4X6 PVC HOSE	1
4	18860-P	SUCTION LANCE 25X1/2 CONNECTION	1
5	59-854-P	FOOT VALVE 4X6 WITH PP FIBER FOR SUCT.	1
6	59861	DN20 D25 PVC SUCTION PIPE L1050	1
7	60370	25X3.5 O-RING	2
8	60863-P	TANK CONNECTION 25X3/4	1
9	60873-P	SUCTION LANCE FEMALE CONNECTION 25X3/4	2
10*	60875	FLOAT LEVEL SWITCH 3/4 SUPPORT	1

SUCTION LANCE 4x6 WITH SS MESH FILTER



Technical features

Connection.....manguera 4x6
 Materials.....PP / FPM / PVC / AISI316
 Hole diameter in tank.....27-30mm
 Suction line.....DN4
 L.....1150mm
 Foot valve with filter
 Filter 100 mesh

List of parts

18-K04-I1150-L (59-861) SUCTION LANCE 4x6 WITH SS MESH FILTER AND SWITCH			
Nº	CODE	DESCRIPTION	QTY.
1	60872-P	SUCTION LANCE 25X3/4 CONNECTION	1
2*	18311	SWITCH LEVEL SENSOR	1
3	18356	4X6 PVC HOSE	1
4	18860-P	SUCTION LANCE 25X1/2 CONNECTION	1
5	59-855-P	FOOT VALVE X6 WITH SS MESH FILTER FOR SUCT.	1
6	59861	DN20 D25 PVC SUCTION PIPE L1050	1
7	60370	25X3.5 O-RING	2
8	60863-P	TANK CONNECTION 25X3/4	1
9	60873-P	SUCTION LANCE FEMALE CONNECTION 25X3/4	2
10*	60875	FLOAT LEVEL SWITCH 3/4 SUPPORT	1