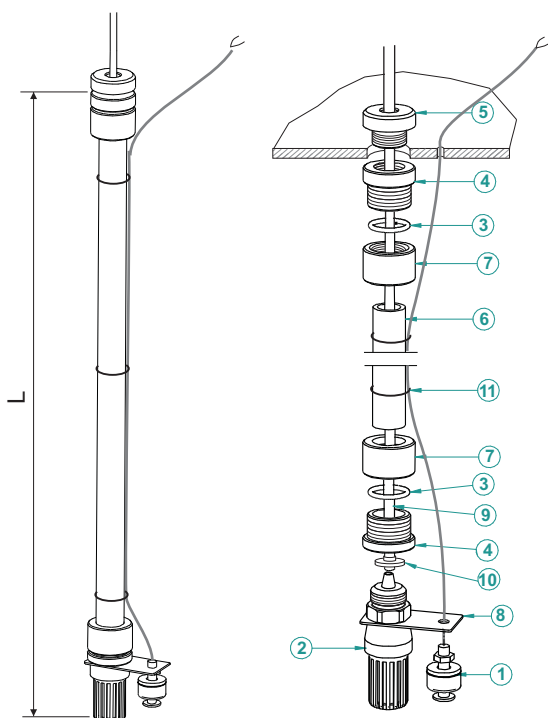


# SUCTION LANCE 6x12

**CODE**
**1 8 - L 06 - R 1150 - L N**

<b>Level switch</b>	L: with Level switch N: without Level sw.
<b>Filter type</b>	R:PP fiber I:AISI316

## SUCTION LANCE 6x12 WITH FILTER PP

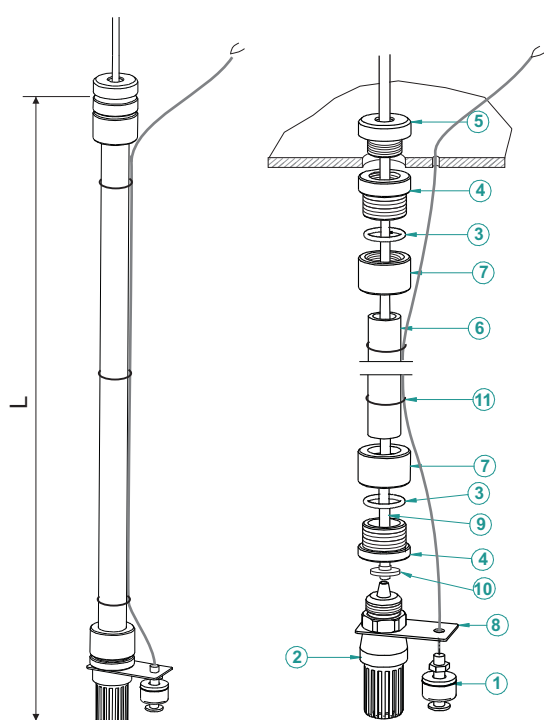

**Technical features**

Connection.....hose 6x12  
 Materials.....PP / FPM / PVC / Glass  
 Hole diameter in tank.....27-30mm  
 Suction line.....DN6  
 L.....1150mm  
 Foot valve with filter  
 Filter with PP fiber

**List of parts**

18-L06-R1150-L SUCTION LANCE 6x12 WITH PP FILTER (60860)			
Nº	CODE	DESCRIPTION	QTY.
1*	18311	SWITCH LEVEL SENSOR	1
2	60-854-P	FOOT VALVE 6X12 WITH PP FILTER FOR SUCT.	1
3	60370	25X3.5 O-RING	2
4	60872-P	SUCTION LANCE 25X3/4 CONNECTION	2
5	60863-P	TANK CONNECTION 25X3/4	1
6	59861	DN20 D25 PVC SUCTION PIPE L1050	1
7	60873-P	SUCTION LANCE FEMALE CONNECTION 25X3/4	2
8*	60875	FLOAT LEVEL SWITCH 3/4 SUPPORT	1
9	64347	6X12 PVC REINFORCED HOSE	1
10	60877	6X12 HOSE COLLAR	1
11	64309	21X2.5 FPM O-RING	3

## SUCTION LANCE 6x12 WITH SS MESH FILTER


**Technical features**

Connection.....hose 6x12  
 Materials.....PP / FPM / PVC / AISI316 / Glass  
 Hole diameter in tank.....27-30mm  
 Suction line.....DN6  
 L.....1150mm  
 Foot valve with filter  
 Filter 100 mesh

**List of parts**

18-L06-I1150-L SUCTION LANCE 6x12 WITH SS MESH FILTER (60861)			
Nº	CODE	DESCRIPTION	QTY.
1*	18311	SWITCH LEVEL SENSOR	1
2	60-855-P	FOOT VALVE 6X12 WITH SS MESH FILTER FOR SUCT.	1
3	60370	25X3.5 O-RING	2
4	60872-P	SUCTION LANCE 25X3/4 CONNECTION	2
5	60863-P	TANK CONNECTION 25X3/4	1
6	59861	DN20 D25 PVC SUCTION PIPE L1050	1
7	60873-P	SUCTION LANCE FEMALE CONNECTION 25X3/4	2
8*	60875	FLOAT LEVEL SWITCH 3/4 SUPPORT	1
9	64347	6X12 PVC REINFORCED HOSE	1
10	60877	6X12 HOSE COLLAR	1
11	64309	21X2.5 FPM O-RING	3