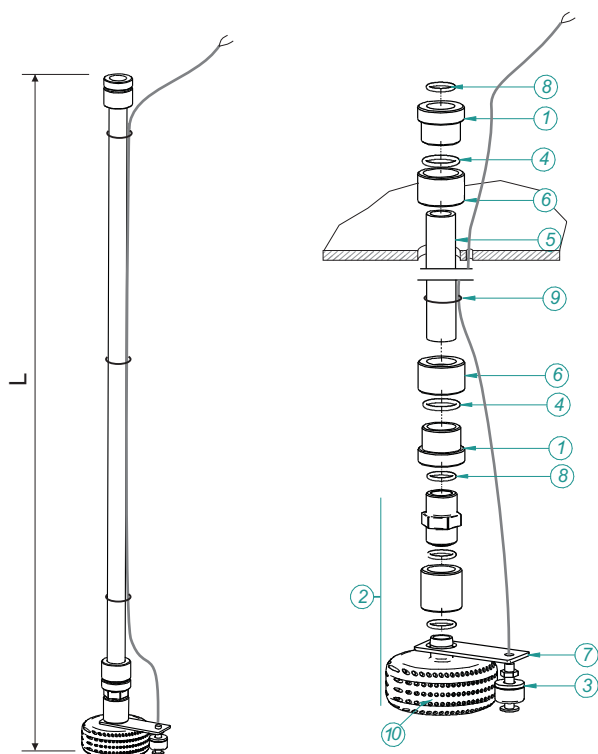


SUCTION LANCE 3/4"

CODE
1 8 - M 20 - P 1500 - L
R I N

Level switch	L: with Level switch N: without Level sw.
Filter type	P:PP R:PP fiber I:AISI316

SUCTION LANCE 3/4 WITH FILTER PP



Technical features

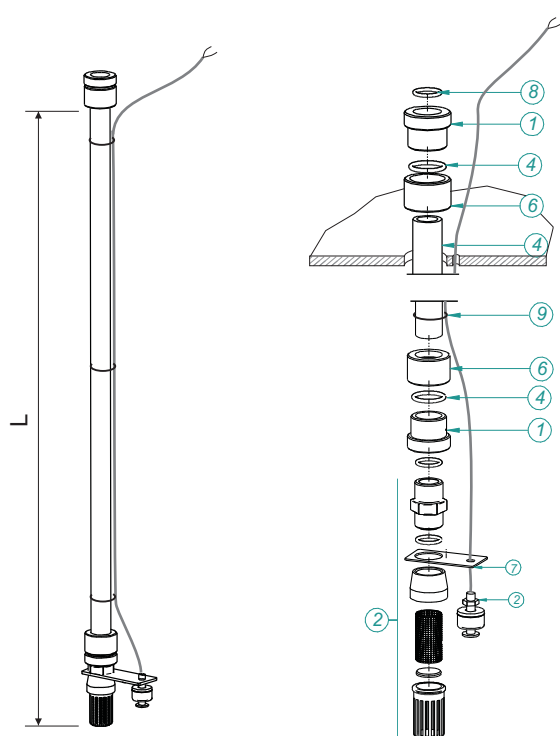
Connection..... 3/4"
 Materials.....PP / FPM / PVC / Glass
 Hole diameter in tank.....26-30mm
 Suction line.....DN20 (Dext.25)
 L.....1500mm
 Foot valve with filter
 PP filter (10mesh)

List of parts

18-M20-P1500-L SUCTION LANCE 3/4" WITH FILTER PP (60-869)			
Nº	CODE	DESCRIPTION	QTY.
1	60872-P	SUCTION LANCE 25X3/4 CONNECTION	2
2	18-830-P	FOOT VALVE 3/4 WITH FILTER	1
3*	18311	SWITCH LEVEL SENSOR	1
4	60370	25X3.5 O-RING	2
5	60871	SUCTION LINE DN20 D25 L1500	1
6	60873-P	SUCTION LANCE FEMALE CONNECTOR 25X3/4	2
7*	60875	FLOAT LEVEL SWITCH SUPPORT	1
8	62300	19X3 FPM O-RING	2
9	64309	21X2.5 FPM O-RING	3

18-M20-R1500-L SUCTION LANCE 3/4" WITH PP FIBER FILTER (60-868)			
Nº	CODE	DESCRIPTION	QTY.
Nº 1 + 2 + 3 + 4 + 5 + 6 + 7 + 8 + 9			-
10	59813	PP FIBER FOR FOOT FILTER	1

SUCTION LANCE 3/4 WITH SS MESH FILTER



Technical features

Connection..... 3/4"
 Materials.....PP / FPM / PVC / AISI 316/ Glass
 Hole diameter in tank.....26-30mm
 Suction line.....DN20 (Dext25)
 L.....1500mm
 Foot valve with filter
 Filter 100mesh AISI316

List of parts

18-M20-I1500-L SUCTION LANCE 3/4" WITH SS MESH FILTER (60-870)			
Nº	CODE	DESCRIPTION	QTY.
1	60872-P	SUCTION LANCE 25X3/4 CONNECTION	2
2	18-832-P	FOOT VALVE 3/4 WITH SS.MESH FILTER	1
3*	18311	SWITCH LEVEL SENSOR	1
4	60370	25X3.5 O-RING	2
5	60871	SUCTION LINE DN20 D25 L1500	1
6	60873-P	SUCTION LANCE FEMALE CONNECTOR 25X3/4	2
7*	60875	FLOAT LEVEL SWITCH SUPPORT	1
8	62300	19X3 FPM O-RING	2
9	64309	21X2.5 FPM O-RING	3