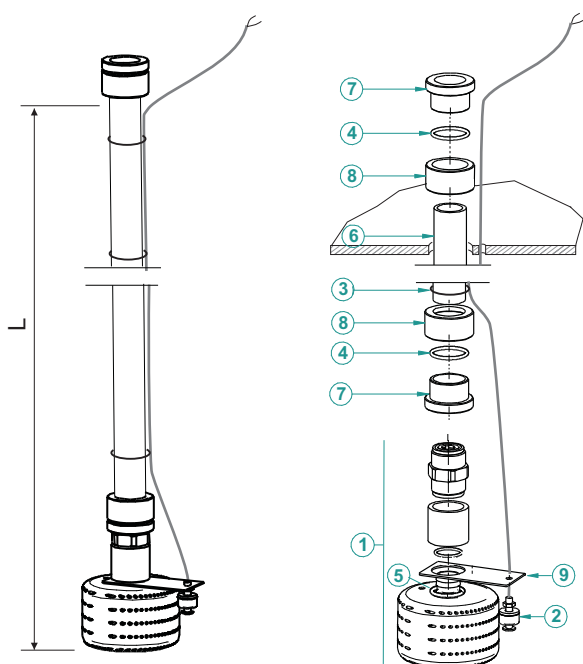


SUCTION LANCE 1 1/4 "

CODE

1 8 - X 32 - P 1500 - L 40 N	Level switch	L: with Level switch N: without Level switch
	Suction line	32: DN32 (Q max.750l/h) 40: DN40 (Q max.1200l/h)

SUCTION LANCE 1 1/4" DN32

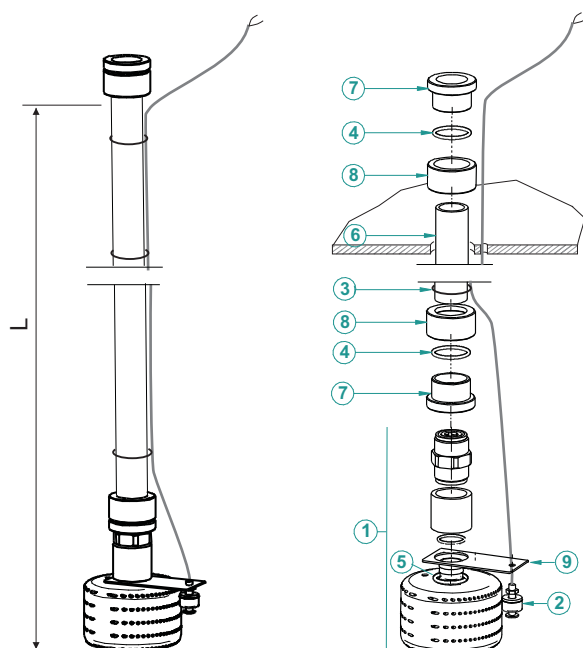

Technical features

Max. flow.....750l/h
 Connection.....1 1/4"
 Materials.....PP / FPM / PVC / Glass
 Hole diameter in tank.....41-46mm
 Suction line.....DN32(Dext.40)
 L.....1500mm
 Foot valve with filter
 PP filter 10 mesh

List of parts

18-X32-P1500-L SUCTION LANCE 1 1/4" DN32 (71-860)			
N°	CODE	DESCRIPTION	QTY.
1	18-835-P	FOOT VALVE 1 1/4" WITH FILTER PP	1
2*	18311	SWITCH LEVEL SENSOR	1
3	61303	31X1.5 O-RING	3
4	71369	40x3.5 O-RING	1
5	71371	29x3 FPM O-RING	1
6	71861	DN32 D40 PVC PIPE L1500	1
7	71862-P	SUCTION LANCE D40X1 1/4 CONNECTION	2
8	71863-P	SUCTION LANCE FEMALE CONNECTION D40	2
9*	71875-P	FLOAT LEVEL SWITCH 1 1/4 SUPPORT	1

SUCTION LANCE 1 1/4" DN40


Technical features

Max flow.....1200l/h
 Connection.....1 1/4"
 Materials.....PP / FPM / PVC / Glass
 Hole diameter in tank.....51-57mm
 Suction line.....DN42(Dext.50)
 L.....1500mm
 Foot valve with filter
 PP filter 10 mesh

List of parts

18-X40-P1500-L SUCTION LANCE 1 1/4" DN40 (71-870)			
N°	CODE	DESCRIPTION	QTY.
1	18-835-P	FOOT VALVE 1 1/4" WITH FILTER PP	1
2*	18311	SWITCH LEVEL SENSOR	1
3	64412	44X2 FPM O-RING	3
4	71370	50X3.5 FPM O-RING	1
5	71371	29x3 FPM O-RING	1
6	71871	DN40 D50 PVC PIPE L1500	1
7	71872-P	SUCTION LANCE D50X1 1/4 CONNECTION	2
8	71873-P	SUCTION LANCE FEMALE CONNECTION D50	2
9*	71875-P	FLOAT LEVEL SWITCH 1 1/4 SUPPORT	1