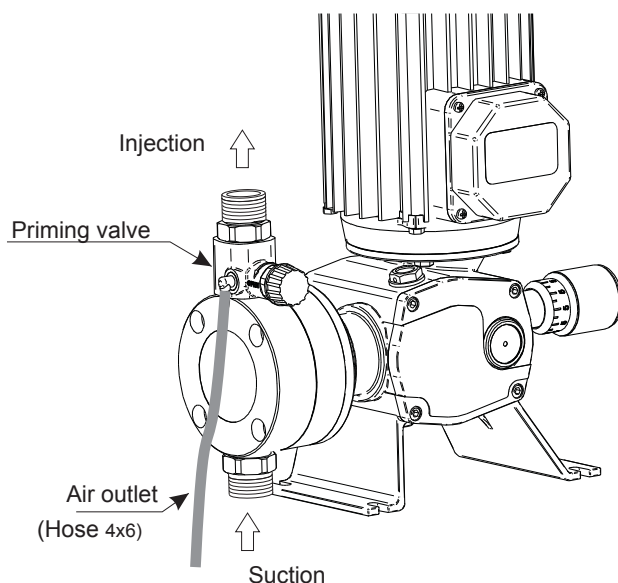
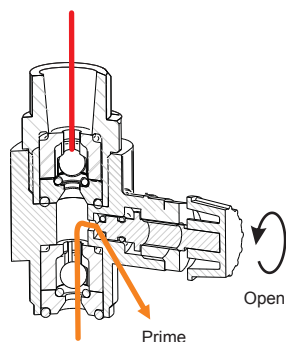
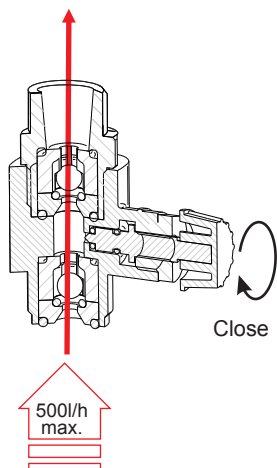


PRIMING VALVE 3/4"

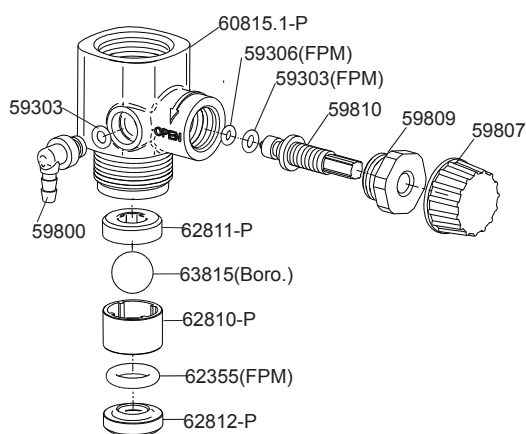
TECHNICAL FEATURES

Max. flow: 500l/h
 Connection thread : 3/4"

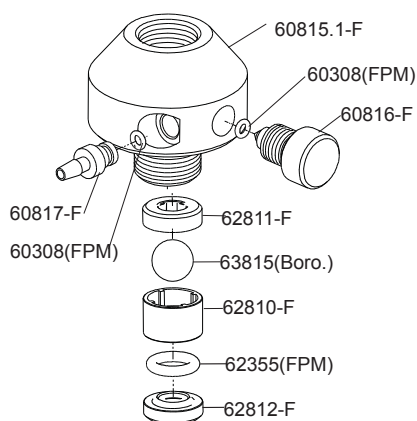


LIST OF PARTS

PP 60-840-P



PVDF 60-840-F



AISI316 60-840-I

