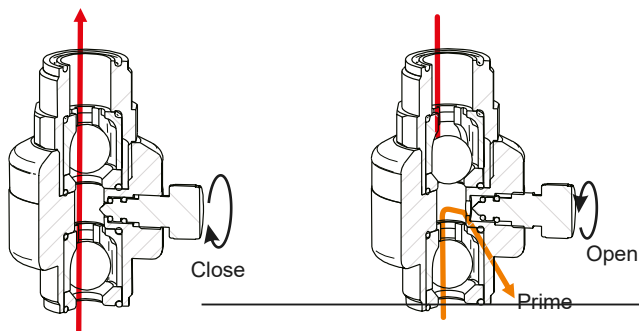
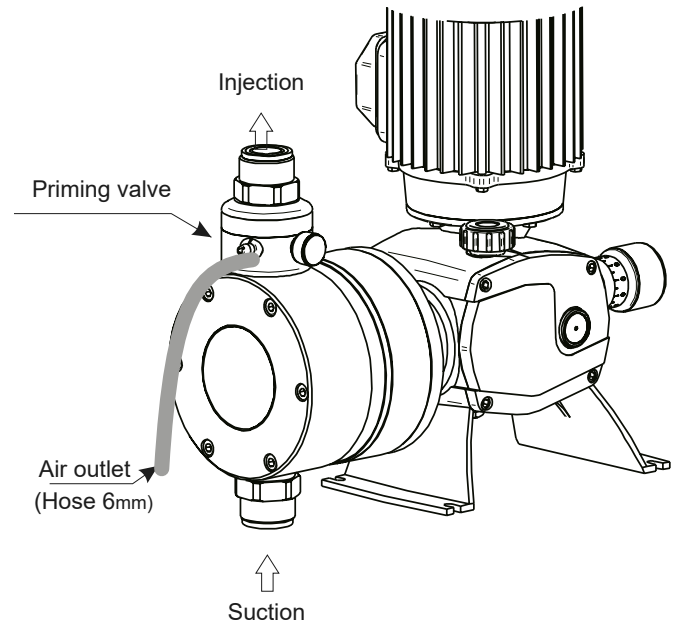


### TECHNICAL FEATURES

Max. flow	1200 l/h
Connexion thread:	1"1/4
Hose connection:	Diameter 6,3x11 (with 60311)
	Diameter 6x12
	Diameter 6,3x12,5



### 18-849-P PRIMING VALVE 1"1/4 PP BOROSILICATE

\*18-850-P AISI 316

\*\*18-850-E EPDM

