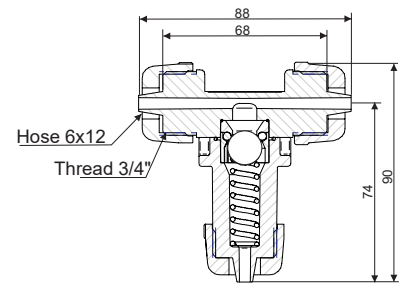
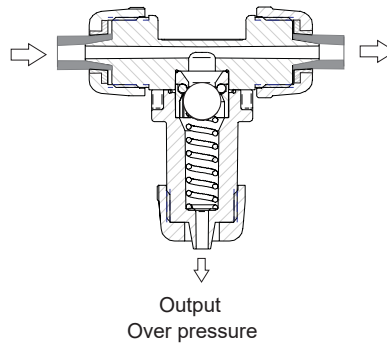
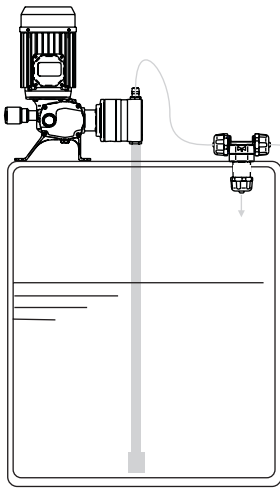
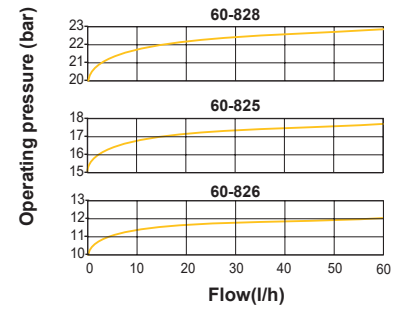


### TECHNICAL FEATURES

Max. flow:	60 l/h
Conexión rosca:	1"1/4
Hose connection:	Diameter 6x12

Graphic Operating pressure / Flow



Opening pressure	Codigo
10bars	60-826
15bars	60-825
20bars	60-828

