

RELIEF VALVE DN6-3/4

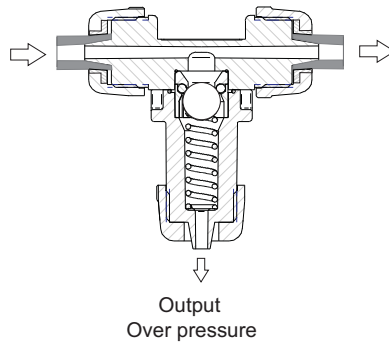
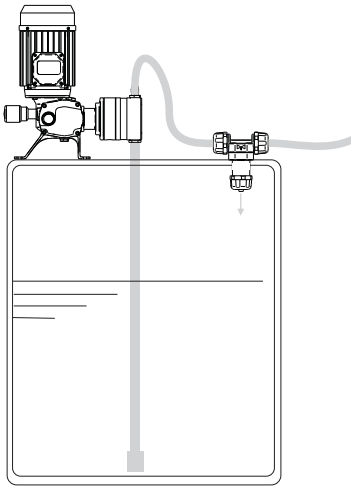
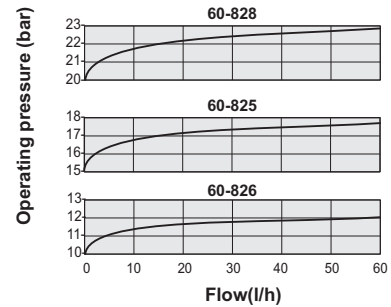


ACC 041

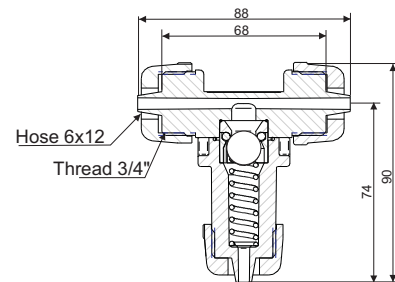
TECHNICAL FEATURES

Max. flow: 60l/h
 Connection thread: 3/4"
 Hose connection : Diameter 6x12

Graphic Operating pressure / Flow



Dimensions(mm):



LIST OF PARTS

Opening pressure	Código
10bars	60-826
15bars	60-825
20bars	60-828

