

RELIEF VALVE DN8 3/4"

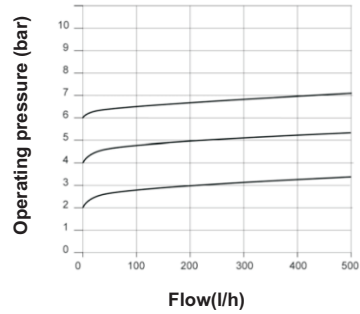


ACC 042

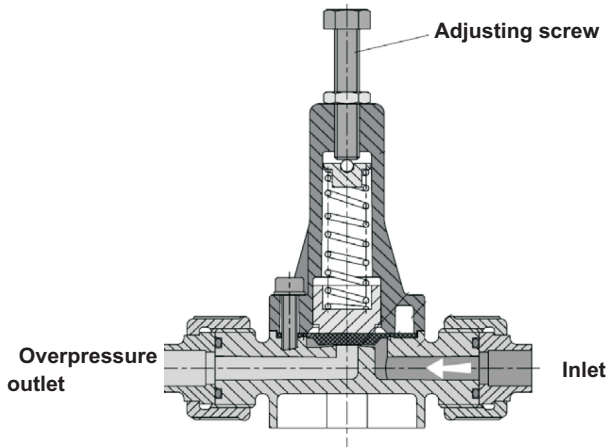
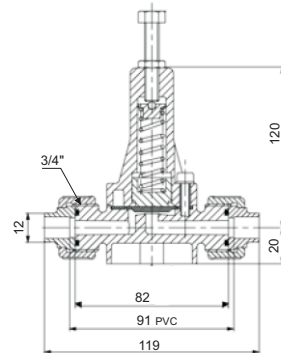
TECHNICAL FEATURES

- Max. flow: 500l/h
- Max. pressure: 10 bar @ 20°C
- Min. opening pressure: 0,5 bar
- Hysteresis: 0,5 bars
- Thread connection : 3/4"
- Pipe conection: DN8

Graphic Operating pressure / flow



Dimensions(mm)



List of parts

Code	Materials
18800	PVC / FPM / PTFE
18801	PP / FPM / PTFE

