

RELIEF VALVE DN20 1 1/4"

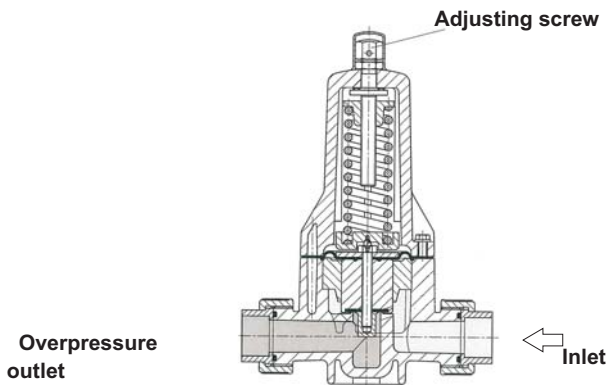
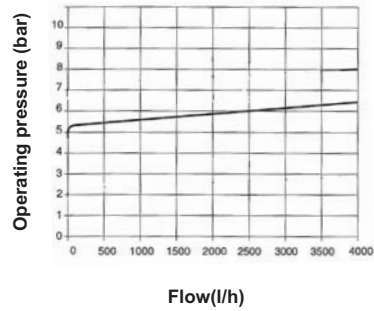


ACC 043

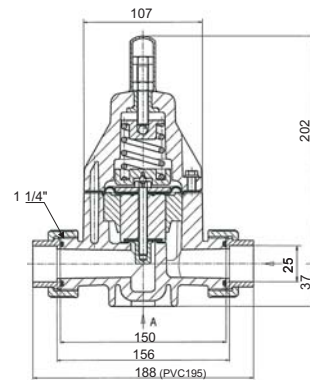
TECHNICAL FEATURES

- Max. flow: 4000l/h
- Max. pressure: 10 bar @ 20°C
- Min. opening pressure: 0,3 bar
- Hysteresis: 0,3 bars
- Thread connection : 1 1/4"
- Pipe connection : DN20

Graphic Operating pressure / flow



Dimensions(mm)



List of parts

Code	Materials
18802	PVC / FPM / PTFE
18802-E	PVC / EPDM / PTFE
18803	PP / FPM / PTFE
18803-E	PP / EPDM / PTFE

