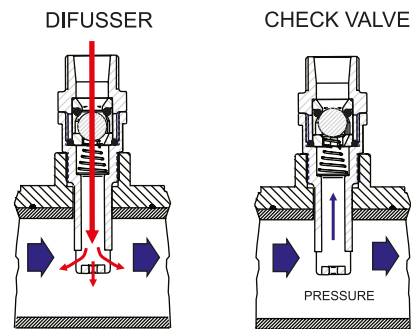
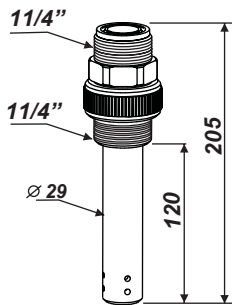
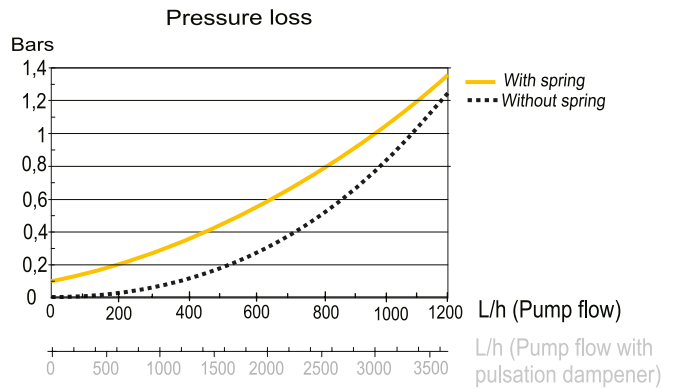


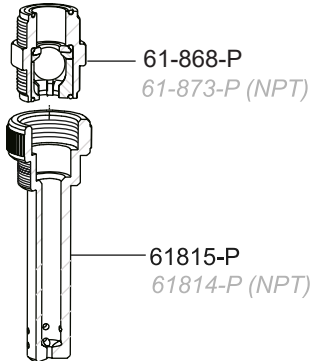
### TECHNICAL FEATURES

Maximum flow:	1200 l/h
Connection thread:	1" 1/4BSP / (1" 1/4NPT)
Opening pressure:	0,1 bar

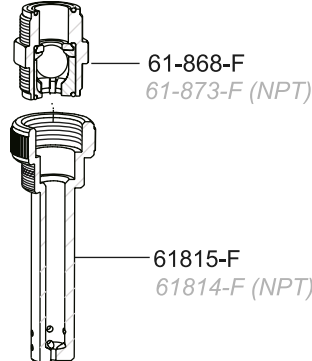


### INJECTION VALVE 1 1/4"

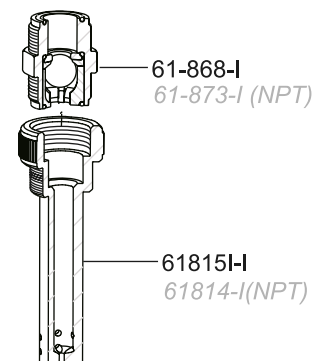
**Polypropylene 61-833-P**  
61-838-P (NPT)



**PVDF 61-854-F**  
61-858-F (NPT)

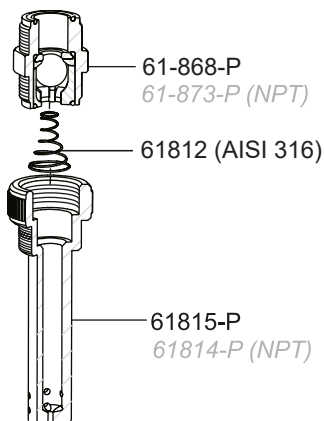


**AISI 316 61-854-I**  
61-858-I (NPT)

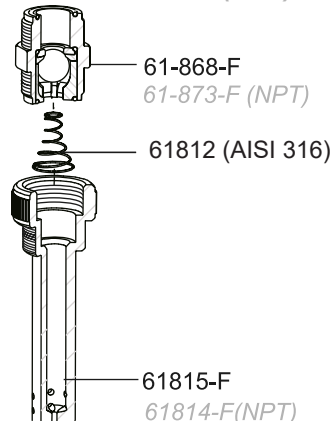


### INJECTION VALVE 1 1/4" SPRING LOADED

**Polypropylene 61-832-P**  
61-837-P (NPT)



**PVDF 61-855-F**  
61-856-F (NPT)



**AISI 316 61-855-I**  
61-856-I (NPT)

