

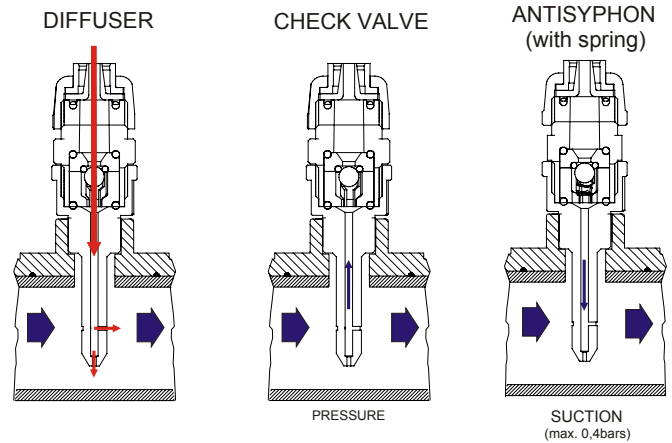
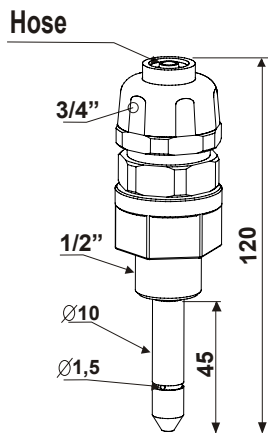
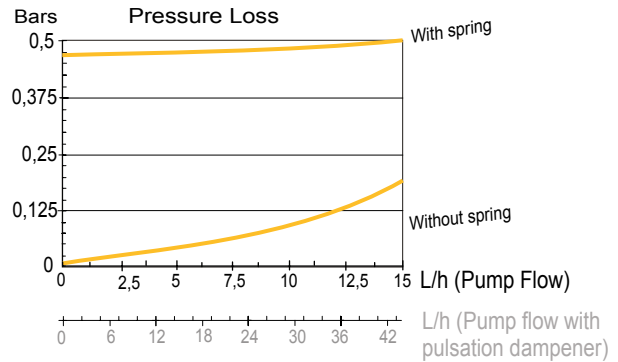
# INJECTION VALVE L 3/4" 4-6-10

**ACC056**

## INJECTION VALVE L

### Technical features

Max. flow:	15 l/h
Thread connection:	3/4"
Pipe connection :	1/2"
Hose connection:	4x6
(Øin x Øout mm)	6x8 / 6x12 10x12



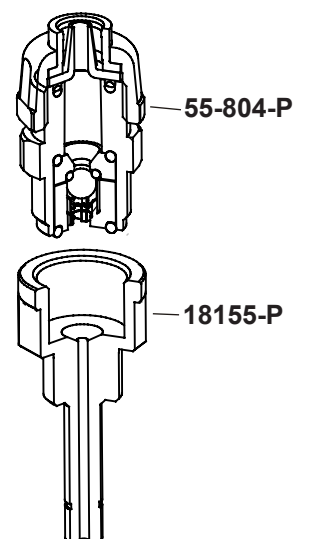
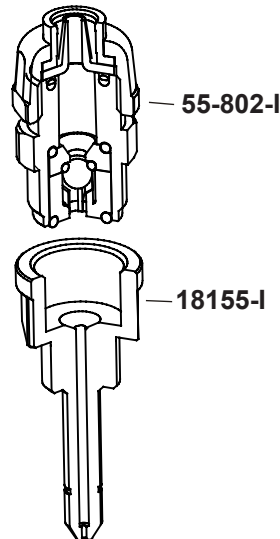
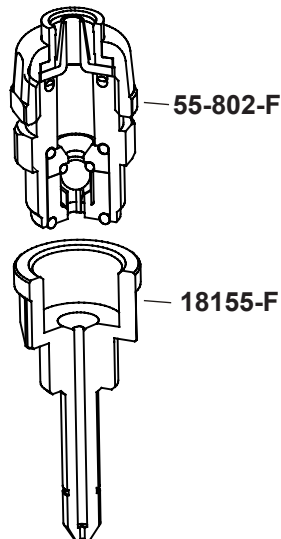
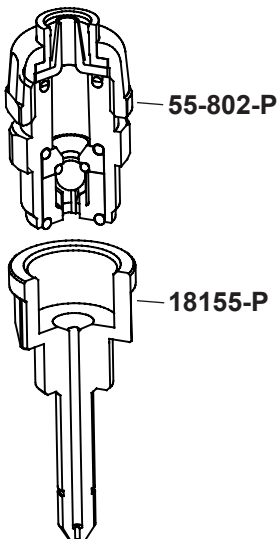
### LIST OF PARTS

**Polypropylene**  
18-880-P




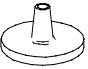
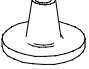
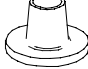
**PVDF**  
18-880-F

**AISI 316**  
18-880-I

**Polypropylene with spring**  
18-881-P



### VALVE CONNECTION

Max. flow	4 l/h	13 l/h		60 l/h
Hose	4x6	6x8	6x12	10x12
Flanges	 55826-P	 60878.1-P	 60877.1-P	
Spikes	 55825-P	 55827-P		 55829-P

