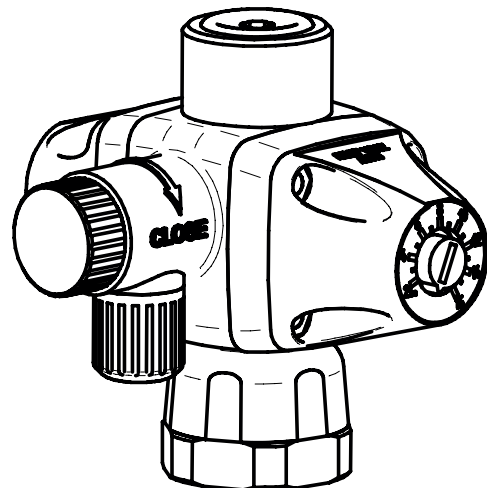


### Características técnicas

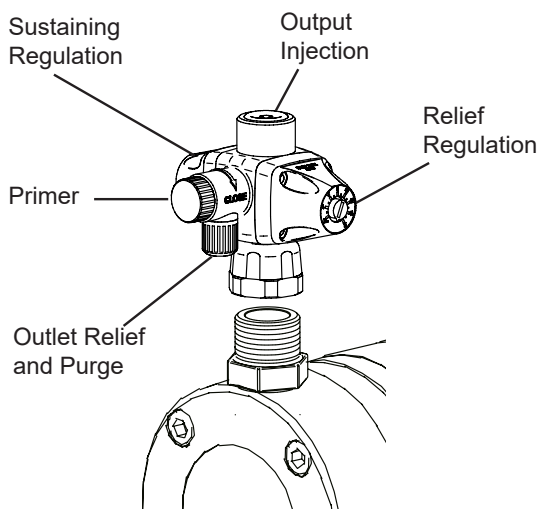
Code	18-019	18-020
Back pressure:	2-8 bar $\pm$ 0.5	1-2 bar $\pm$ 0.5
Relief pressure:	2-16 bar $\pm$ 1	
Flow rate:	0-60l/h	
Body material:	PVDF	
Seals material:	FPM / EPDM / TFE/P	
Diaphragm material:	PTFE	
Ball material:	Borosilicate / Ceramic / Stainless Steel	
Inlet connection:	3/4" L	
Hose connection:	4x6, 6x8, 6x12, 10x12	
Priming connection:	4x6	



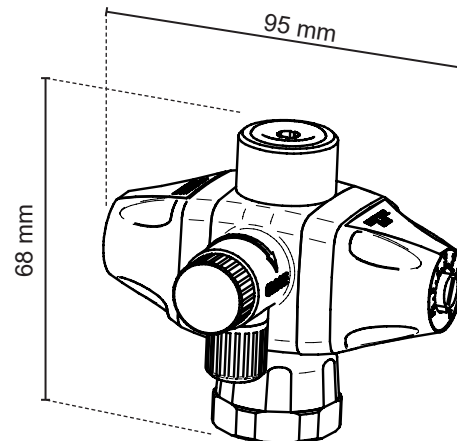
### FUNCTIONS

**5 Functions** of the ITC multifunction valve:

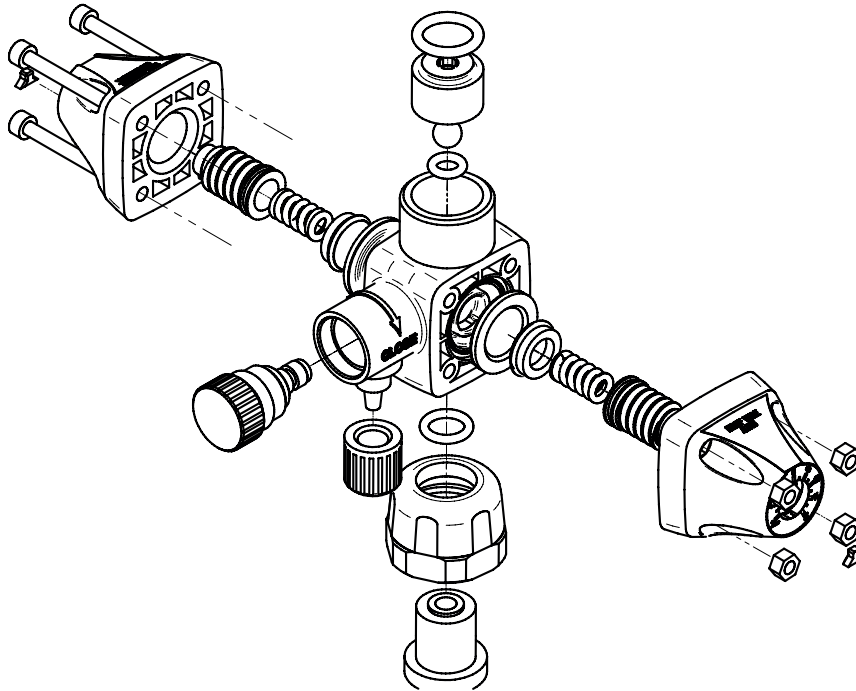
- Back pressure valve.
- Safety valve.
- Priming valve.
- Chack valve.
- Anti-siphon valve.



### DIMENSIONS



### SPARE PARTS



\* Optional:

18-034: Multifunctional valve seal kit 60l/h 3/4L EPDM

18-034-T: Multifunctional valve seal kit 60l/h 3/4 L TFE/P

### PRESSURE/FLOW GRAPHS:

Pressure differential over the set value, depending on the flow rate (approximate values for H<sub>2</sub>O at 20°C).

