

# PULSATION DAMPENER



ACC 061

## TECHNICAL FEATURES

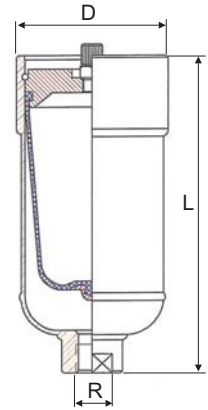
Dampener with **FPM / EPDM** bladder and **PP** body

Code (FPM)	Code (EPDM)	Flow (l/h)	Capacity (litre)	Pressure (bar)	R (BSP)	D (mm)	L (mm)	Weight (Kg)
18337	18388	1- 50	0,07	10	3/8"	60	98	0.25
18343	18394	2,5-100	0,15	10	1/2"	80	135	0,5
18344	18395	100-300	0,35	10	3/4"	90	170	0,8
18345	18396	200-500	0,65	10	3/4"	100	230	1,2
18346	18397	400-2000	1,4	10	3/4"	130	295	2,4

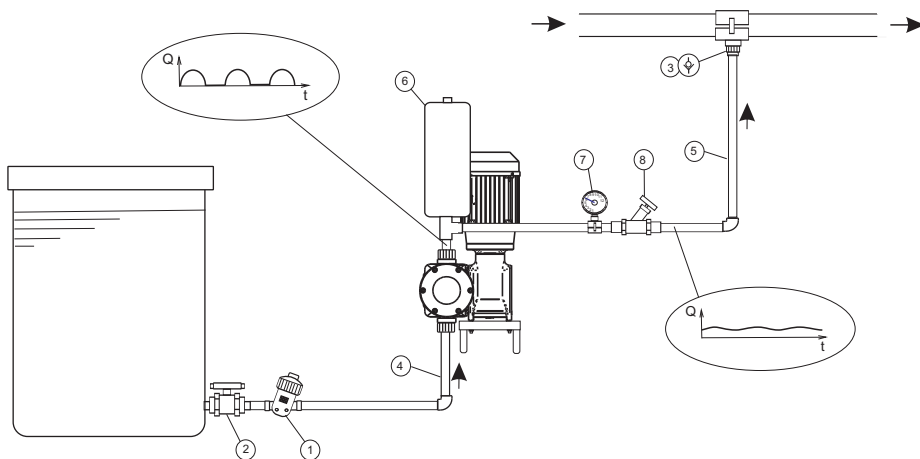
Dampener with **FPM / EPDM** bladder and **AISI316** body

Code (FPM)	Code (EPDM)	Flow (l/h)	Capacity (litre)	Pressure (bar)	R (BSP)	D (mm)	L (mm)	Weight (Kg)
18338	18389	1-50	0,07	210	3/8"	55	92	0,9
18339	18390	2,5-100	0,15	180	1/2"	70	118	1,8
18340	18391	100-300	0,35	130	3/4"	80	162	2,6
18341	18392	200-500	0,65	50	3/4"	90	205	2,5
18342	18393	400-2000	1,4	40	3/4"	110	245	4,6

Note: Bladders available in other materials (EPDM,Nitril,Butil,Silicone)

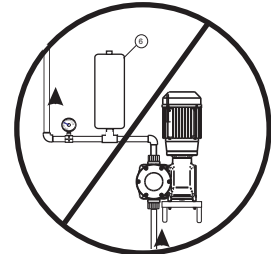


## INSTALLATION



- 1. FILTER
- 2. VALVES
- 3. CHECK VALVES
- 4. SUCTION LINE
- 5. INJECTION LINE
- 6. PULSATION DAMPENER
- 7. MANOMETER
- 8. THROTTLE VALVE

### WRONG INSTALLATION



## DAMPENER VOLUME CALCULATION

Va = Dampener volume (L)

Q = Dosing pump flow (L/h)

F = Dosing frequency (strokes/min.)

Residual pulsation 3%

$$Va \approx \frac{Q}{3 F}$$

Residual pulsation 6%

$$Va \approx \frac{Q}{8 F}$$

## DAMPENER INFLATION PRESSURE CALCULATION

Pa = Dampener pressure

Pi = Line pressure

$$Pa \approx 0,75 \times Pi$$

Note: The dampener can be set at needed pressure if the customer asks for it.