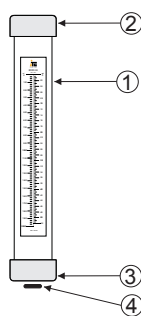


CALIBRATION CYLINDERS

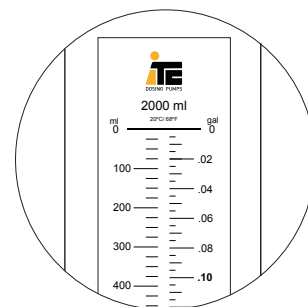
TECHNICAL FEATURES

Calibration cylinders PVC

- 1) Transparent tube (material PVC)
- 2) Loose top cap (material PVC)
- 3) Glued bottom cap (material PVC)
- 4) O-ring (material FKM)

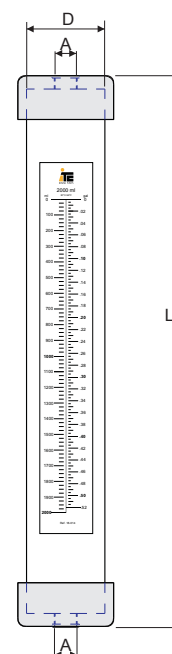


Measuring scale

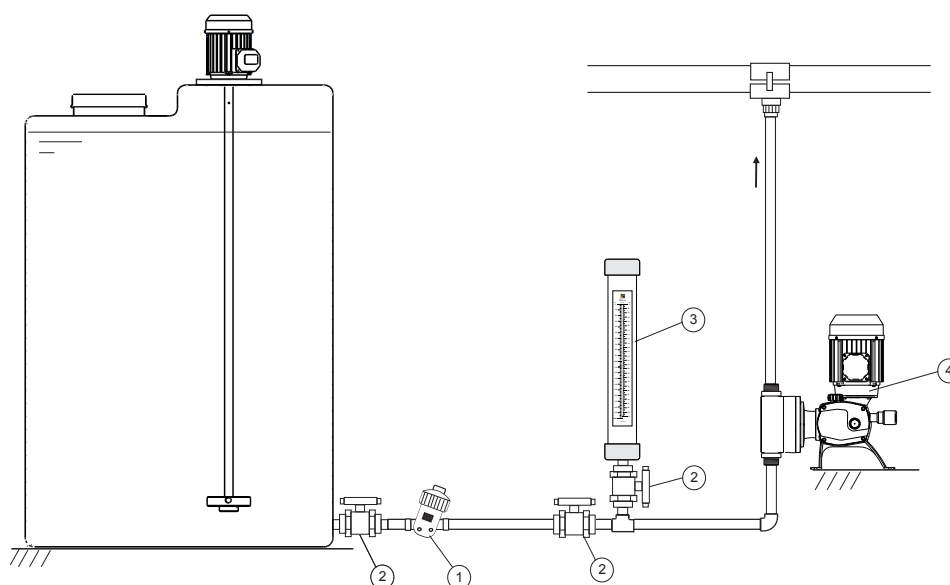


MODELS

Code	Volume		Scale		A (BSP)	D (mm)	L (mm)	Weight (Kg)
	ml	gal.	ml	gal.				
18-010-V	100	0.026	5	.001	3/4"	40	230	0.2
18-011-V	125	0.066	5	.001	3/4"	40	430	0.2
18-012-V	500	0.132	10	.005	3/4"	63	430	0.6
18-013-V	1000	0.264	10	.005	3/4"	63	630	0.8
18-014-V	2000	0.528	25	.010	3/4"	90	630	1.5
18-015-V	5000	1.320	25	.010	3/4"	90	1230	2.5
18-016-V	10000	2.640	100	.050	1"1/4	160	730	3
18-017-V	20000	5.280	100	.050	1"1/4	160	1330	4.5



TYPICAL INSTALLATION



1. FILTER
2. VALVES
3. CALIBRATION CYLINDER
4. DOSING PUMP