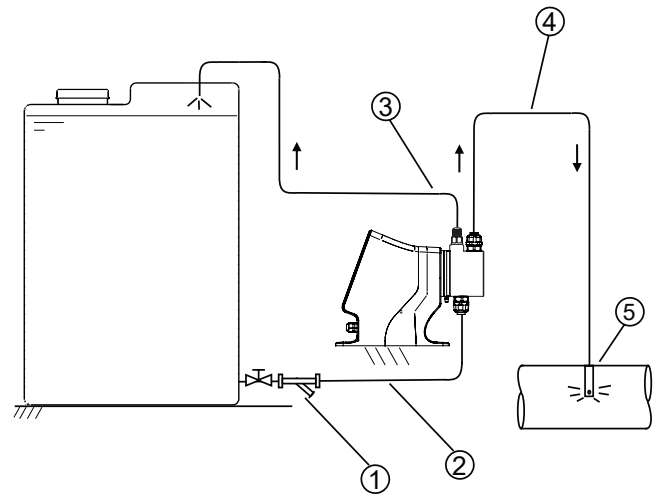


TECHNICAL FEATURES

Flow:	4-60 l/h
Thread connection injection/ suction valve:	3/4"
Pipe connection injection/ suction: (Øint x Øext mm)	4x6, 6x8, 6x12, 10x12, 3/4"
Pipe connection : (Øint x Øext mm)	4x6
Minimum dosing pump flow:	1%
Efficiency:	>90%
Material:	PP/PVDF
O-rings:	FPM
Ball:	Borosilicate

INSTALLATION



- ① SUCTION FILTER
- ② SUCTION PIPE
- ③ GAS BLEED
- ④ INJECTION PIPE
- ⑤ INJECTION VALVE

LIST OF PARTS

Polypropylene
18-028-P

PVDF
18-028-F

