

## TECHNICAL FEATURES

### Pumps:

1 Duty + 1 Standby

### Materials:

Frame: AISI 304

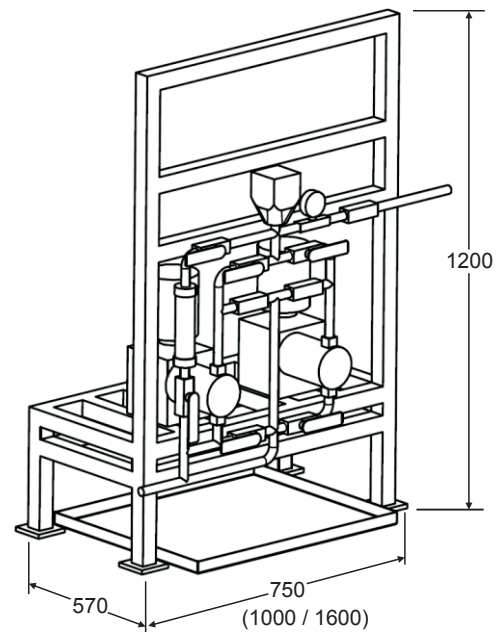
Pipe: AISI316 / AISI304 / PVC / CPVC

### Dimensions:

Height: 1200mm

Width: 750 / 1000 / 1600mm

Depth: 570mm



## PARTS AND INSTALLATION

- 1.- Frame AISI 304
- 2.- Pipe
- 3.- Ball valve (x7)
- 4.- Pulsation dampener
- 5.- Pressure gauge with diaphragm separator
- 6.- Backpressure valve
- 7.- Relief valve (x2)
- 8.- Dosing pump (x2)
- 9.- Strainer
- 10.- Calibration cylinder
- 11.- Power cabinet (if necessary)

