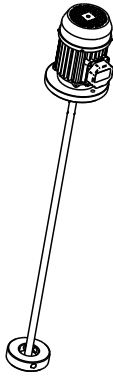


AGITATOR 0.6m: TECHNICAL FEATURES



AG 010

CODE



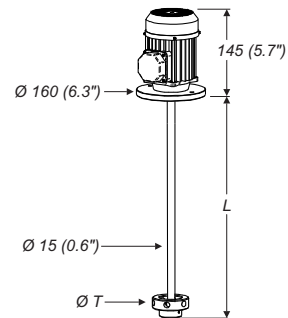
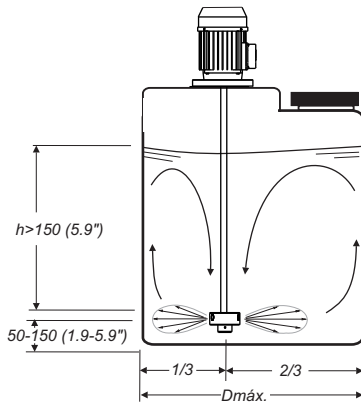
70 - P B - C 0620 - T06 P

Material	P: PP, AISI304
Turbine	T06: Ø 60
Length	0620 mm
Ø Shaft	C: Ø 15 mm
Support	B: Flange
Motor	P: 3ph 67W T56 Q: 1ph 50Hz 67W T56

MODELS

	Code	Motor		Dimensions				Agitation			
		Watts	rpm	L mm in	Ø T mm in	Ø Dmax m in	Volume m3 gal	Flow m3/h gpm			
	3ph 50Hz	70-PB-C0620-T06P	67	1400	620 24.5	60 2.3	0.5 20	0.15 40	1.1 4.8		
	3ph 60Hz	70-PB-C0620-T06P	80	1650	620 24.5	60 2.3	0.6 23	0.2 52	1.4 6		
	1ph 50Hz	70-QB-C0620-T06P	67	1400	620 24.5	60 2.3	0.5 20	0.15 40	1.1 4.8		

DIMENSIONS



MATERIALS

Turbine	PP
Shaft	AISI 304 / PE
Screws	AISI 304
Flange	PP

MOTOR

	3ph
Power	67W (0,09Hp)
Voltage	230V - 430V
Current	0.8A - 0.45A
Frequency	50Hz - 60Hz
r.p.m	1400 - 1650
Protection	IP-55
Class	F
Frame	T56 B14