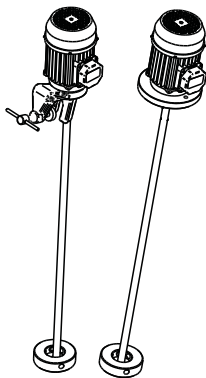


AGITATOR 1.0-1.3 m : TECHNICAL FEATURES



AG 012

CODE



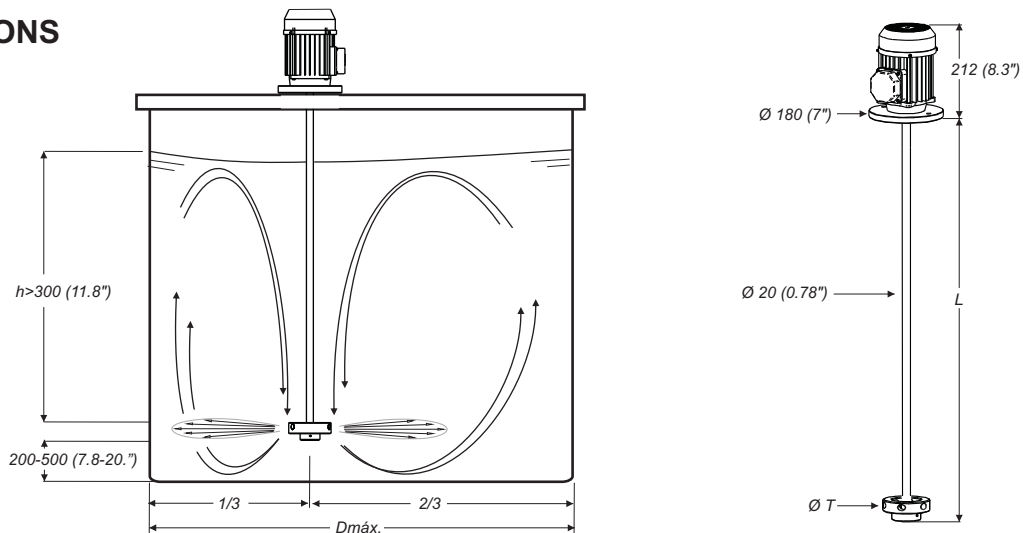
70 - A B - B 1300 - T13 P

Material	P: PP, AISI304
Turbine	T13: Ø 150 (50Hz) T12: Ø 130 (60Hz) T11: Ø 113 (300W)
Length	1300 mm 1000 mm
Ø Shaft	B: Ø 20 mm
Support	B: Flange P: Clamp
Motor	A: 3ph 370w 1500rpm B: 1ph 50Hz 370w 1500rpm C: 1ph 60Hz 370w 1500rpm E: 12VDC 300W T71

MODELS

	Code	Motor		Dimensions				Agitation			
		Watts	rpm	L mm in	Ø T mm in	Ø Dmax m in	Volume m3 gal	Flow m3/h gpm			
	3ph 50Hz 70-A_-B1300-T13P	370	1400	1300 51	130 5.1	1.5 59	3 800	6.5 28			
	70-A_-B1000-T13P	370	1400	1000 39	130 5.1	1.5 59	2.3 600	6.5 28			
	3ph 60Hz 70-A_-B1300-T12P	444	1650	1300 51	120 4.7	1.5 59	3 800	5 22			
	70-A_-B1000-T12P	444	1650	1000 39	120 4.7	1.5 59	2.3 600	5 22			
	1ph 50Hz 70-B_-B1300-T13P	370	1400	1300 51	130 5.1	1.5 59	3 800	6.5 28			
	70-B_-B1000-T13P	370	1400	1000 39	130 5.1	1.5 59	2.3 600	6.5 28			
	1ph 60Hz 70-C_-B1300-T12P	444	1650	1300 51	120 4.7	1.5 59	3 800	5 22			
	70-C_-B1000-T12P	444	1650	1000 39	120 4.7	1.5 59	2.3 600	5 22			
	12VDC 70-E_-B1300-T11P	300	1400	1300 51	113 4.4	1.2 42	1.8 500	3.8 17			
	70-E_-B1000-T11P	300	1400	1000 39	113 4.4	1.2 42	1.5 400	3.8 17			

DIMENSIONS



MATERIALS

Turbine	PP
Shaft	AISI 304 / PE
Screws	AISI 304
Flange	PP

MOTOR

	3ph	12VDC
Power	370W (0,5Hp)	300W (0,4Hp)
Voltage	230V - 430V	12VDC
Current	1.9A - 1.1A	25A
Frequency	50Hz-60Hz	
r.p.m	1400 - 1650	1400
Protection	IP-55	IP-20
Class	F	B
Frame	T71 B14	T71 B14