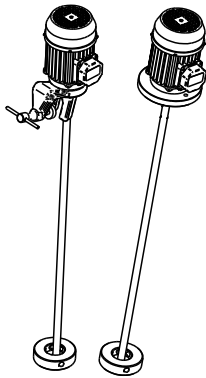


AGITATOR 1.5m: TECHNICAL FEATURES



AG 013

CODE



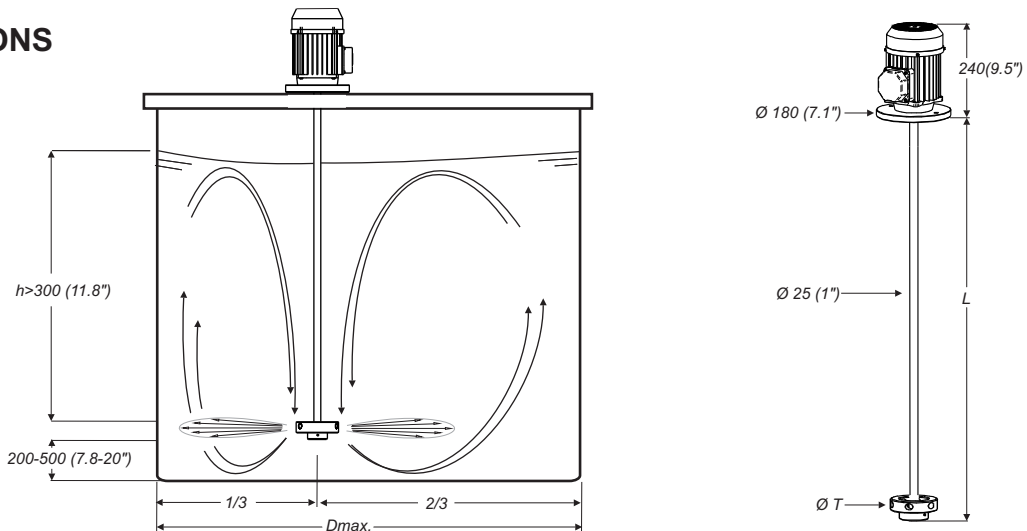
70 - L B - A 1500 - T15 P

Material	P: PP, AISI304
Turbine	T15: Ø 150 (50Hz) T13: Ø 130 (60Hz)
Length	1500 mm
Ø Shaft	A: Ø 25 mm
Support	B: Flange P: Clamp
Motor	L: 3ph 750w 1500rpm M: 1ph 50Hz 750w 1500rpm N: 1ph 60Hz 750w 1500rpm

MODELS

		Code	Motor		Dimensions				Agitation			
			Watts	rpm	L mm in	Ø T mm in	Ø Dmax m in	Volume m ³ gal	Flow m ³ /h gpm			
 Flange	3ph 50Hz	70-LB-A1500-T15P	750	1400	1500 59	150 5.9	2.7 106	10 2600	8.3 36.5			
	3ph 60Hz	70-LB-A1500-T13P	900	1650	1500 59	130 5.1	2.7 106	10 2600	8.0 35.2			
	1ph 50Hz	70-MB-A1500-T15P	750	1400	1500 59	150 5.9	2.7 106	10 2600	8.3 36.5			
	1ph 60Hz	70-NB-A1500-T13P	900	1650	1500 59	130 5.1	2.7 106	10 2600	8.0 35.2			
 Clamp	3ph 50Hz	70-LP-A1500-T15P	750	1400	1500 59	150 5.9	2.7 106	10 2600	8.3 36.5			
	3ph 60Hz	70-LP-A1500-T13P	900	1650	1500 59	130 5.1	2.7 106	10 2600	8.0 35.2			
	1ph 50Hz	70-MP-A1500-T15P	750	1400	1500 59	150 5.9	2.7 106	10 2600	8.3 36.5			
	1ph 60Hz	70-NP-A1500-T13P	900	1650	1500 59	130 5.1	2.7 106	10 2600	8.0 35.2			

DIMENSIONS



MATERIALS

Turbine	PP
Shaft	AISI 304 / PE
Screws	AISI 304
Flange	PP

MOTOR (3ph)

Power	750W (1Hp)
Voltage	230V - 430V
Current	3.4A - 2A
Frequency	50Hz-60Hz
r.p.m	1400 - 1650
Protection	IP-55
Class	F
Frame	T80 B14