

CONTROLLER 3000: 12 INPUTS MODULE



C3 004

Power Supply:

From the C3000:24VAC - 50/60Hz

Protection: IP55

Working Temperature: 0 -45°C

Relative Humidity max: 95% (without condensation)

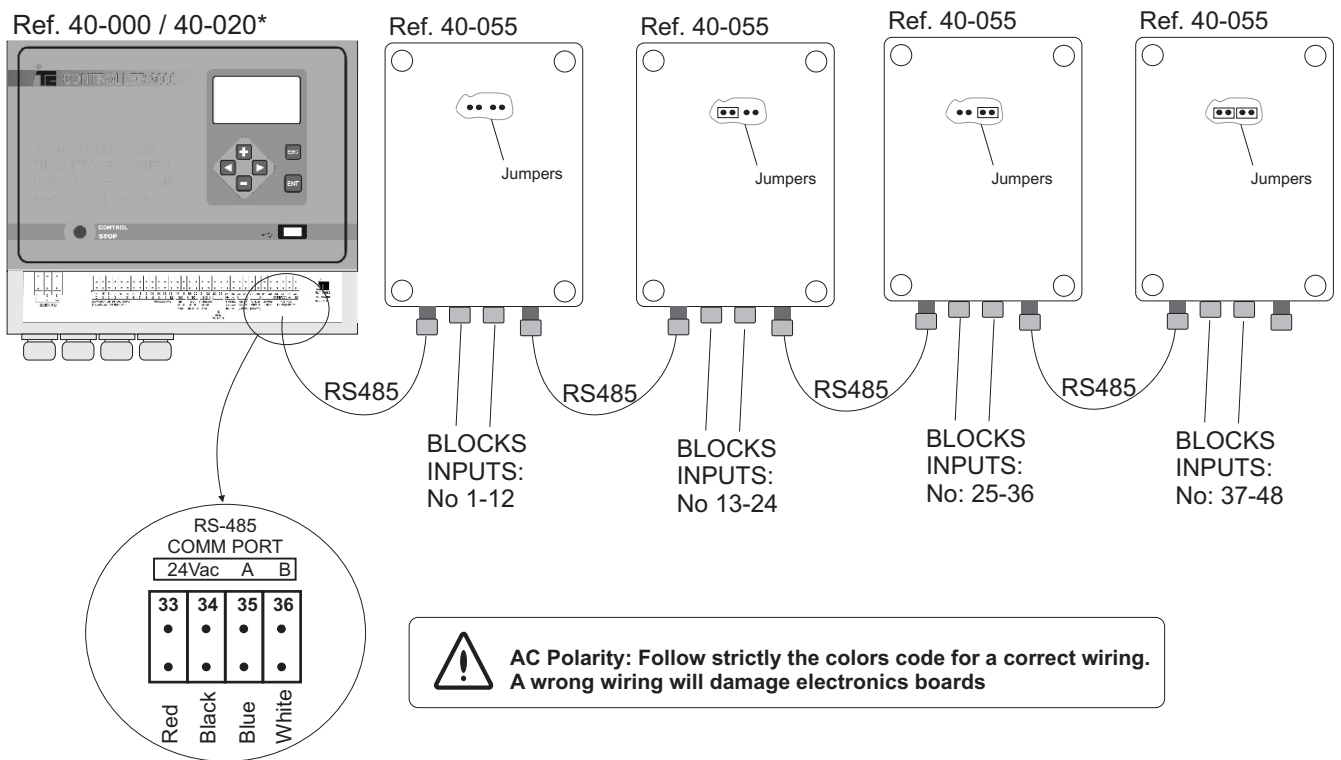
Inputs:

- 12 activated block inputs: 12-24 V AC/DC Digital Inputs.

- Communication port: RS485 (6 pins connector)

Output:

- Communication port: RS485 (6 pins connector)



(*)Ref. 40-020 (Controller 3000-6/12) has included the first 12 inputs corresponding to valves No. 1 to 12.

Dimensions

200x150x75

