

DESCRIPTION

Amperometric potentiostatic free inorganic chlorine sensor for drinking water and water treatment.

MEASURING CELL

- Analyzable products: Cl_2 , NaClO , $\text{Ca}(\text{ClO})_2$

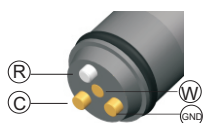
- 4 electrodes open cell

Working Electrode (W)

Reference Electrode (R)

Auxiliary Electrode (C)

GND Electrode



- Measuring range 0.02-3.00 mg/l
- Accuracy: $\pm 2\%$
- Polarization time: 30' aprox.
- Electrode cleaning: automatic electrochemical cleaning (WTR_{PRO})

WORKING CONDITIONS

- pH 6.5-9.0

Temperature 0-40°C

Salinity: < 500 ppm Cl^- ,
< 500 ppm SO_4^{2-}

Conductivity: 50 - 3000 $\mu\text{S}/\text{cm}$

Maximum pressure: 6 bar

Stable flow



44-060 Free chlorine sensor 420MB

DIMENSIONS AND MATERIALS

- Protection: IP68
- Dimensions: $\varnothing 25\text{mm}$ (1") x 200 mm (7.9")
- Materials:

Body: PVC

Hydrodynamic regulator: PMMA

Sealing: FPM

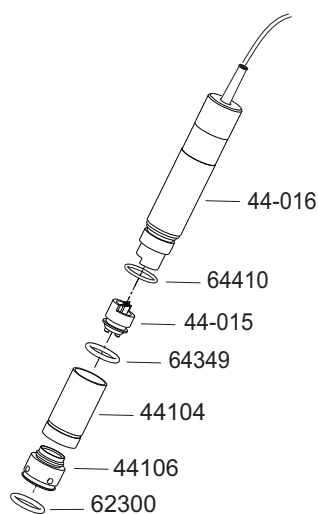
Working Electrode (Au)

Reference Electrode (Ag/AgCl)

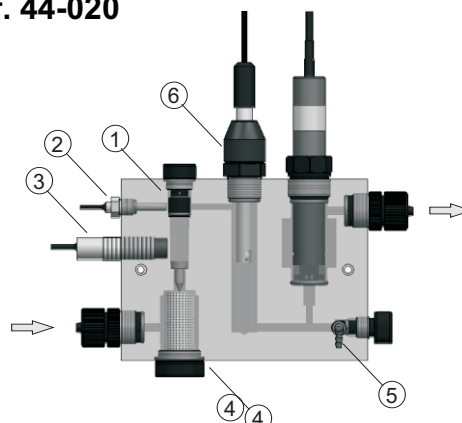
Auxiliary electrode (Au)

GND Electrode (Au)

LIST OF PARTS Ref.44-010



INSTALLATION IN SENSOR HOLDER Ref. 44-020



- ① Automatic flow regulator
- ② Temperature sensor
- ③ Flow detector
- ④ Inlet filter
- ⑤ Outlet for sample
- ⑥ pH sensor