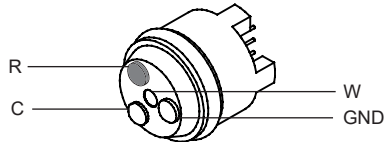


Amperometric potentiostatic free inorganic chlorine sensor for drinking water and water treatment.

MEASURING CELL

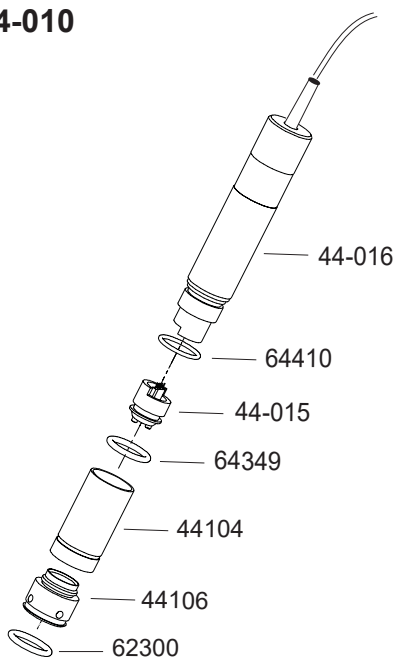
- Analyzable products: Cl_2 , NaClO , $\text{Ca}(\text{ClO})_2$
- 4 electrodes open cell:
 - Working Electrode (W)
 - Reference Electrode (R)
 - Auxiliary Electrode (C)
 - GND Electrode



CARACTERÍSTICAS TÉCNICAS

Measuring range:	0.02-3.00mg/l
Accuracy:	± 2%
Polarization time:	30' aprox
Electrode cleaning:	automatic electrochemical cleaning.
pH:	6.5-9.0
Temperature:	0-40°C
Salinity:	< 500 ppm Cl <500 ppm SO_4^{2-}
Conductivity:	50 - 3000 uS/cm
Maximum pressure:.	6 bar
Flow	stable

REF. 44-010



DIMENSIONS

- Protection: IP68
- Dimensions: Ø25mm (1") x 200 mm (7.9")
- Materials:
 - Body: PVC
 - Hydrodynamic regulator: PMMA
 - Sealing: FPM
 - Working Electrode: Au
 - Auxiliary Electrode: Aisi 316L
 - Reference Electrode: Ag/AgCl
 - GND Electrode: Aisi 316L

INSTALLATION IN SENSOR HOLDER REF. 44-020

- 1- Automatic flow regulator
- 2- Temperature sensor
- 3- Flow detector
- 4- Inlet filter
- 5- Outlet for sample
- 6- pH sensor

