

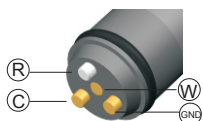
# FREE CHLORINE SENSOR 420MB: TECHNICAL FEATURES

## DESCRIPTION

Amperometric potentiostatic free inorganic chlorine sensor for drinking water and water treatment.

## MEASURING CELL

- Analyzable products: Cl<sub>2</sub>, NaClO, Ca(ClO)<sub>2</sub>
- 4 electrodes open cell
  - Working Electrode (W)
  - Reference Electrode (R)
  - Auxiliary Electrode (C)
  - GND Electrode



- Measuring range 0.02-3.00 mg/l
- Accuracy: ± 2%
- Polarization time: 30' aprox.
- Electrode cleaning: automatic electrochemical cleaning.
- Cleaning frequency : every 4 hour or every 8 hour

## WORKING CONDITIONS

- pH 6.5-9.0
- Temperature 0-40°C
- Salinity: < 500 ppm Cl<sup>-</sup>, < 500 ppm SO<sub>4</sub><sup>2-</sup>
- Conductivity: 50 - 3000 uS/cm
- Maximum pressure: 6 bar
- Stable flow



44-060 Free chlorine sensor 420MB

## POWER AND OUTPUT SIGNAL

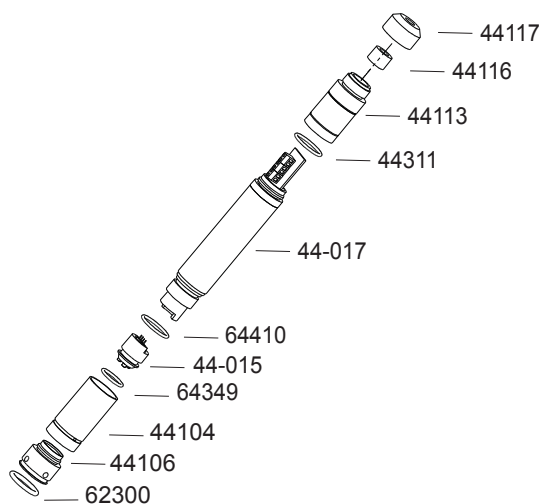
- Power 12V DC
- Analogical output: 4-20mA
- Serial port output: RS-485 (MODBUS)
- Blue led: measuring indicator
- Red led: out of range measure

## DIMENSIONS AND MATERIALS

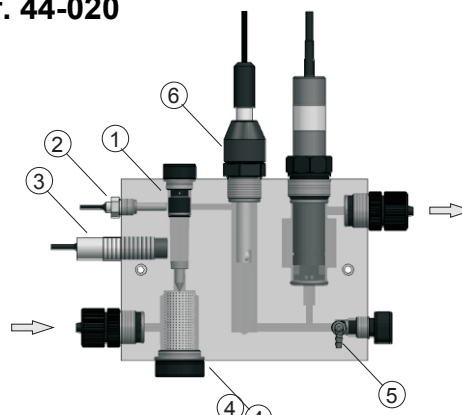
- Protection: IP68
- Dimensions: Ø25mm (1") x 200 mm (7.9")
- Materials:

- Body: PVC
- Hydrodynamic regulator: PMMA
- Sealing: FPM
- Working Electrode (Au)
- Reference Electrode (Ag/AgCl)
- Auxiliary Electrode (AISI 316L)
- GND Electrode (AISI 316L)

## LIST OF PARTS Ref.44-060



## INSTALLATION IN SENSOR HOLDER Ref. 44-020



- ① Automatic flow regulator
- ② Temperature sensor
- ③ Flow detector
- ④ Inlet filter
- ⑤ Outlet for sample
- ⑥ pH sensor