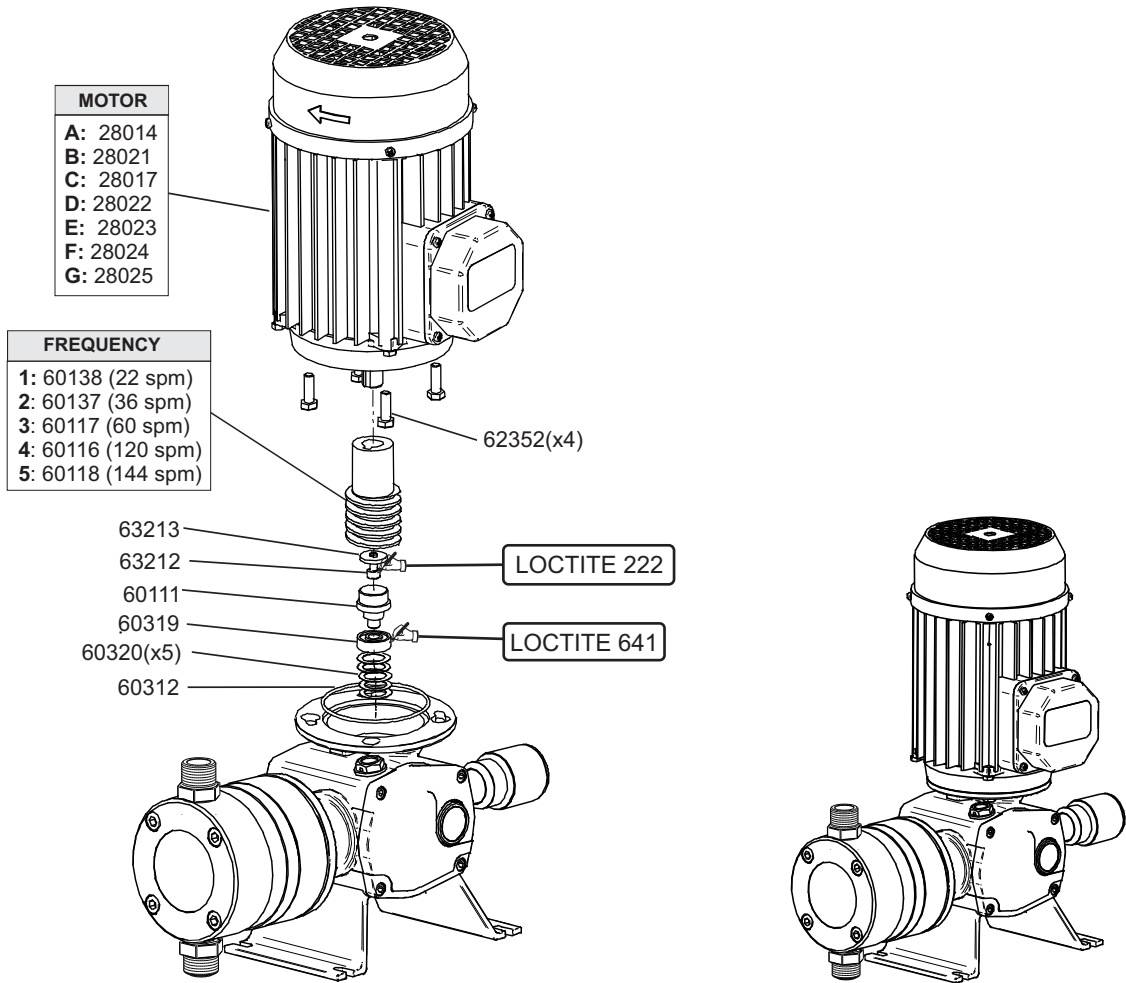


ASSEMBLY



LIST OF PARTS

CODE	DESCRIPTION	UNITS
28014	Electric motor 370w (1/2cv) 3ph T71 B14	1
28017	Electric motor 370w (1/2cv) 1ph 60hz 110v T71 B14 IT-526	1
28021	Electric motor 370w (1/2cv) 1ph 50hz T71 B14 high torque	1
28022	Electric motor 130w 12v dc B14	1
28023	Electric motor 130w 24v dc B14	1
28024	Electric motor 300w 12v dc B14	1
28025	Electric motor 300w 24v dc B14	1
60111	Pinion bumper Dostec	1
60116	Pinion 2 strokes/s D40-MF	1
60117	Pinion 1 stroke/s D40	1
60118	Pinion 2.4 strokes/s D40-MF	1
60137	Pinion 0.6 stroke/s D40	1
60138	Pinion 0.3 stroke/s D40	1
60312	O-ring 68x1,5 NBR	1
60319	Bearing 608-zz (8x22x7)	1
60320	Elastic washer din137-b(21x10.5x1)	5
62352	Screw M6x12 Din 933 A2	4
63212	Screw M5x12 Din 912 A2	1
63213	Washer 18x5x2,5 F5	1