

MATERIALS CODE FORMULATION

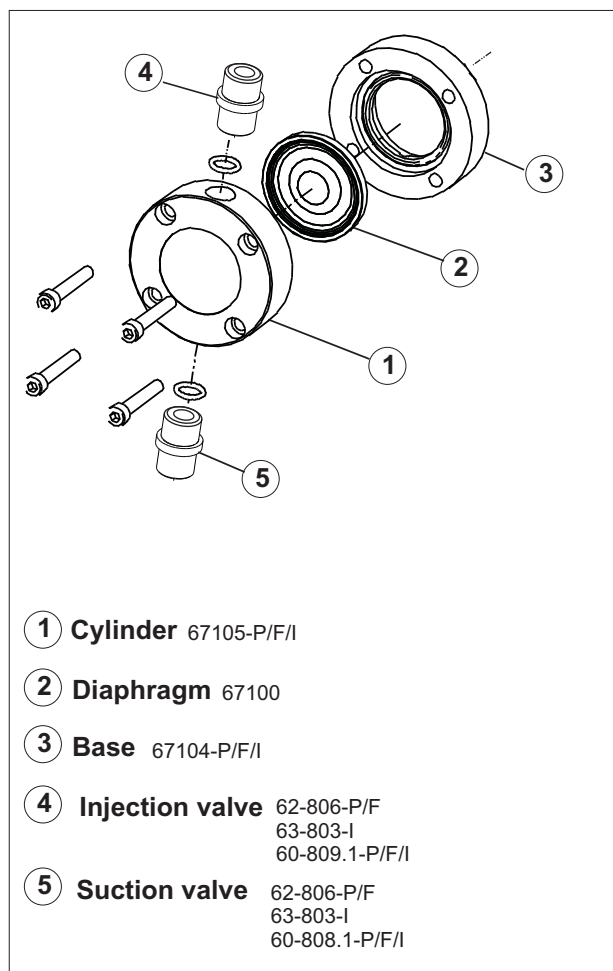
60 - A D 4 3 - D69 P P M

MATERIAL HEAD			
	① Cylinder	② Diaphragm	③ Base
P	PP	PTFE	PP
I	AISI316	PTFE	AISI316
F	PVDF	PTFE	PVDF
T	PTFE	PTFE	PTFE

MATERIAL VALVE			
	Body	Ball	O-ring
P	PP	Glass	FPM
B	PP	Borosilicate	FPM
I	AISI316	AISI316	FPM
F	PVDF	Borosilicate	FPM
T	PTFE	Borosilicate	FPM

PARTS

..D69..



.. D95 / D115 ..

