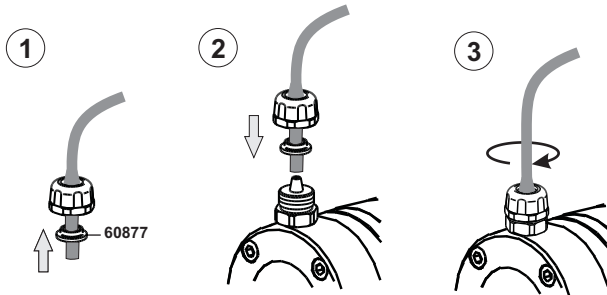
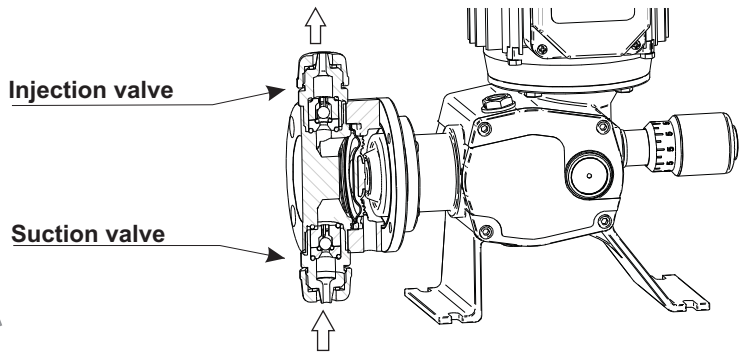


CHECK VALVES 6X12 (60 l/h-16GPH max.)

TECHNICAL FEATURES

Max. flow.: 60l/h -16GPH
 Connection thread: 3/4"
 Hose connection: Diameter 6x12
 Diameter 6x8 (PVDF)

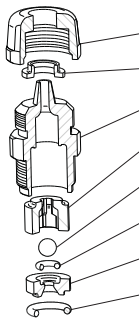


LIST OF PARTS

SODA.: Glass sodium-calcium
 BORO.: Glass borosilicate

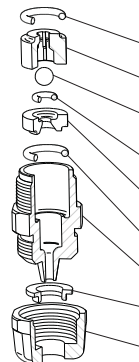
Body	PP				PVDF (6X12)	PVDF (6X8)	AISI 316
Seal (o-ring)	FPM		EPDM		FPM		
Ball	BORO.	AISI 316	BORO.	AISI 316	BORO.	BORO.	AISI 316

DISCHARGE



60-859-P	60-809.1-P +60-B8I	60-809.1-P +60-060		60-809.1-F	60-888-F	60-809.1-I
60811.1-P	60811.1-P	60811.1-P		60811.1-F	60811.1-F	60811.1-I
60877	60877	60877		60877-F	60878-F	60877
60810.1-P	60810.1-P	60810.1-P		60810.1-F	60882-F	60810.1-I
60813.1-P	60813.1-P	60813.1-P		60813.1-F	60813.1-F	60813.1-I
64348	64351	64348		64348	64348	64351
60308	60308	60308-E		60308	60308	60308
60812.1-P	60812.1-P	60812.1-P		60812.1-F	60812.1-F	60812.1-I
62310	62310	62310-E		62310	62310	62310

SUCTION



60-858-P	60-808.1-P +60-B8I	60-808.1-P +60-060		60-808.1-F	60-887-F	60-808.1-I
62310	62310	62310-E		62310	62310	62310
60813.1-P	60813.1-P	60813.1-P		60813.1-F	60813.1-F	60813.1-I
64348	64351	64348		64348	64348	64351
60308	60308	60308-E		60308	60308	60308
60812.1-P	60812.1-P	60812.1-P		60812.1-F	60812.1-F	60812.1-I
62310	62310	62310-E		62310	62310	62310
60810.1-P	60810.1-P	60810.1-P		60810.1-F	60882-F	60810.1-I
60877	60877	60877		60877-F	60878-F	60877
60811.1-P	60811.1-P	60811.1-P		60811.1-P	60811.1-F	60811.1-I

Optional:

- 60-B8C Kit ball Ø8 Ceramic
- 60-060-T Kit TFE/P o-rings valve 6x12