

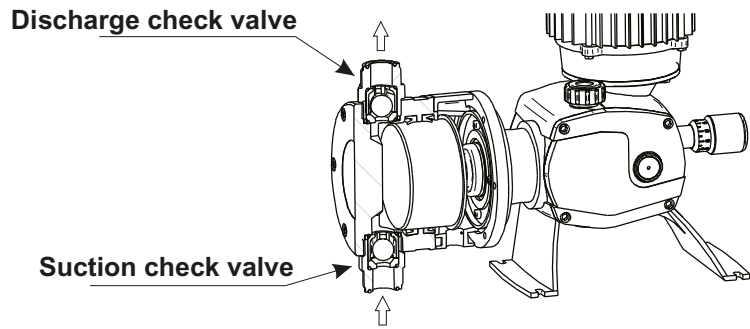
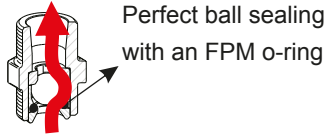
CHECK VALVES 3/4" (500l/h max.)



D40 013

TECHNICAL FEATURES

Max. flow: 500l/h
Connection thread : 3/4"

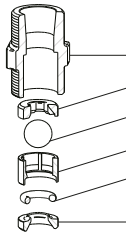


LIST OF PARTS

SODA.: Glass sodium-calcium
BORO.: Glass borosilicate

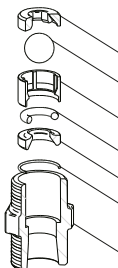
Body	PP					PVDF	AISI 316
Seal (o-ring)	FPM			EPDM		FPM	
Ball	SODA.	BORO.	AISI 316	BORO.	AISI 316	BORO.	AISI 316

DISCHARGE



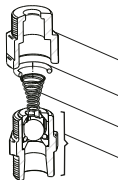
	62-807-P	62-857-P	62-859-P	62-857-P +60-061	62-859-P +60-061	62-861-F	63-804-I
62813-P	62813-P	62813-P	62813-P	62813-P	62813-P	62815-F	63911-I
62811-P	62811-P	62811-P	62811-P	62811-P	62811-P	62811-F	63912-I
63913	63815	63815	63816	63815	63816	63815	63816
62810-P	62810-P	62810-P	62810-P	62810-P	62810-P	62810-F	-
62355	62355	62355	62355	62355-E	62355-E	62355	63914
62812-P	62812-P	62812-P	62812-P	62812-P	62812-P	62812-F	63903-I

SUCTION



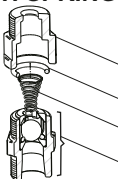
	62-806-P	62-856-P	62-862-P	62-856-P +60-061	62-862-P +60-061	62-860-F	63-803-I
62811-P	62811-P	62811-P	62811-P	62811-P	62811-P	62811-F	63912-I
63913	63815	63815	63816	63815	63816	63815	63816
62810-P	62810-P	62810-P	62810-P	62810-P	62810-P	62810-F	-
62355	62355	62355	62355	62355-E	62355-E	62355	63914
62812-P	62812-P	62812-P	62812-P	62812-P	62812-P	62812-F	63903-I
62356	62356	62356	62356	62356-E	62356-E	62356	62356
62813-P	62813-P	62813-P	62813-P	62813-P	62813-P	62815-F	63911-I

DISCHARGE WITH SPRING



	62-827-P	62-828-P			62-827-F	62-827-I
	62825-P	62825-P			62825-F	62825-I
	62300	62300			62300	62300
	62816	62816			62816	62816
	62256-P	62862-P			62860-F	62803-I

SUCTION WITH SPRING



	62-826-P				62-826-F	62-826-I
	62825-P				62825-F	62825-I
	62300				62300	62300
	62817				62817	62817
	62856-P				62860-F	62803-I

Optional:

60-B14C Kit ball Ø14 Ceramic
60-061-T Kit TFE/P o-rings valve 3/4"

Discharge with spring 0.5 bars opening
Suction with spring 0.1 bars opening