

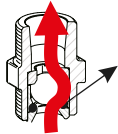
# CHECK VALVES 3/4" (500l/h max.)

## D40 013

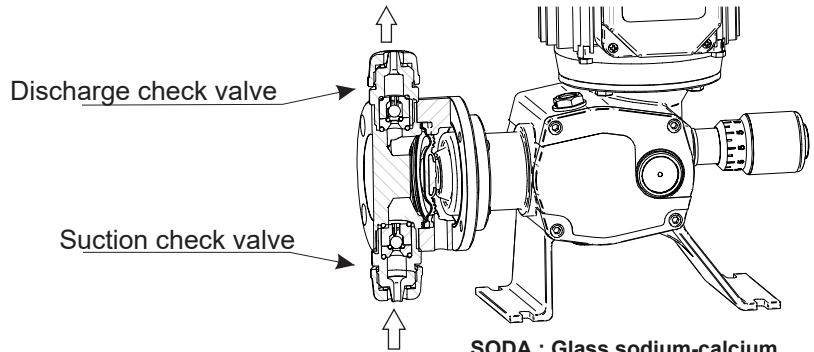
### TECHNICAL FEATURES

Max. flow: 500 l/h

Connection thread: 3/4"



Perfect ball sealing with an FPM o-ring

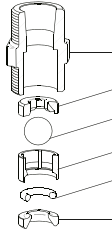


SODA.: Glass sodium-calcium  
BORO.: Glass borosilicate

### LIST OF PARTS

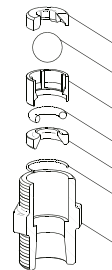
Body	PP				PVDF	AISI 316
Seal (o-ring)	FPM		EPDM		FPM	
Ball	SODA.	BORO.A	ISI 316	BORO.A	ISI 316	ISI 316

#### DISCHARGE



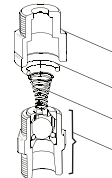
62-807-P	62-857-P	62-859-P	62-857-P +60-061	62-859-P +60-061	62-861-F	63-804-I
62813-P	62813-P	62813-P	62813-P	62813-P	62815-F	63911-I
62811-P	62811-P	62811-P	62811-P	62811-P	62811-F	63912-I
63913	63815	63816	63815	63816	63815	63816
62810-P	62810-P	62810-P	62810-P	62810-P	62810-F	-
62355	62355	62355	62355-E	62355-E	62355	63914
62812-P	62812-P	62812-P	62812-P	62812-P	62812-F	63903-I

#### SUCTION



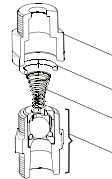
62-806-P	62-856-P	62-862-P	62-856-P +60-061	62-862-P +60-061	62-860-F	63-803-I
62811-P	62811-P	62811-P	62811-P	62811-P	62811-F	63912-I
63913	63815	63816	63815	63816	63815	63816
62810-P	62810-P	62810-P	62810-P	62810-P	62810-F	-
62355	62355	62355	62355-E	62355-E	62355	63914
62812-P	62812-P	62812-P	62812-P	62812-P	62812-F	63903-I
62356	62356	62356	62356-E	62356-E	62356	62356
62813-P	62813-P	62813-P	62813-P	62813-P	62815-F	63911-I

#### DISCHARGE WITH SPRING



62-827-P	62-828-P	62-827-F	62-827-I
62825-P	62825-P	62825-F	62825-I
62300	62300	62300	62300
62816	62816	62816	62816
62256-P	62862-P	62860-F	62803-I

#### SUCTION WITH SPRING



62-826-P	62-826-F	62-826-I
62825-P	62825-F	62825-I
62300	62300	62300
62817	62817	62817
62856-P	62860-F	62803-I

Optional:

60-B14C Kit ball Ø14 Ceramic  
60-061-T Kit TFE/P o-rings valve 3/4"

Discharge with spring 0.5 bars opening  
Suction with spring 0.1 bars opening