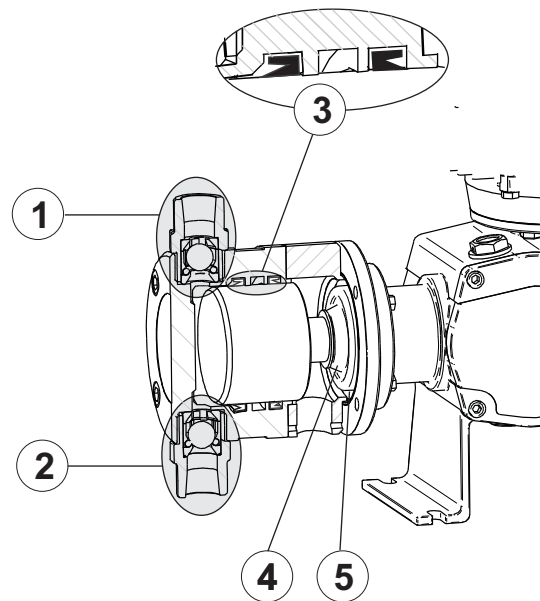


PISTON SERIES

The maintenance kit contain :

- ① Discharge check valve
- ② Suction check valve
- ③ Seals
- ④ Bellow
- ⑤ O-ring (bellow)



DIAPHRAGM SERIES

The maintenance kit contain :

- ① Discharge check valve
- ② Suction check valve
- ③ Diaphragm
- ④ Bellow
- ⑤ O-ring (bellow)

