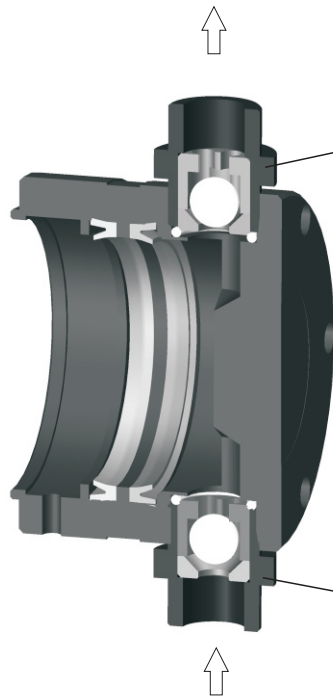


CHECK VALVES ASSEMBLY 1 1/4"

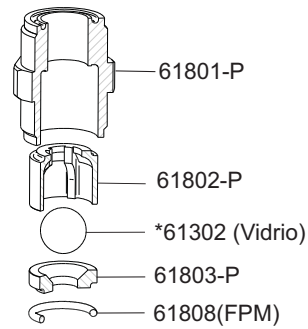


D50 010

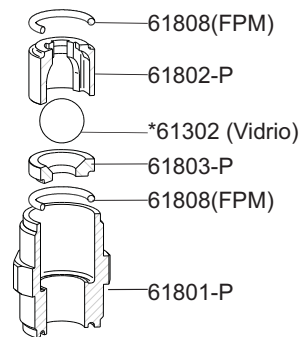
CHECK VALVES 1 1/4"



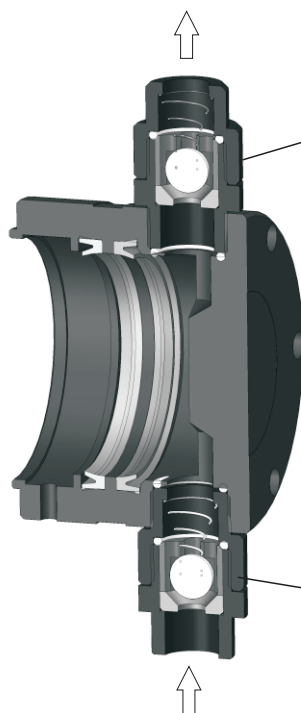
INJECTION 61-011-P



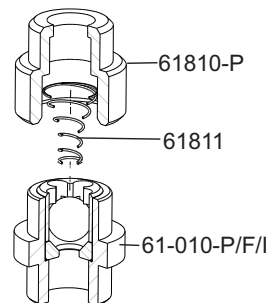
SUCTION 61-010-P



SPRING CHECK VALVE 1 1/4"



SPRING INJECTION VALVE 61-850-P (Open 0,5 bars)



SPRING SUCTION VALVEE 61-860-P (Open 0,1 bars)

