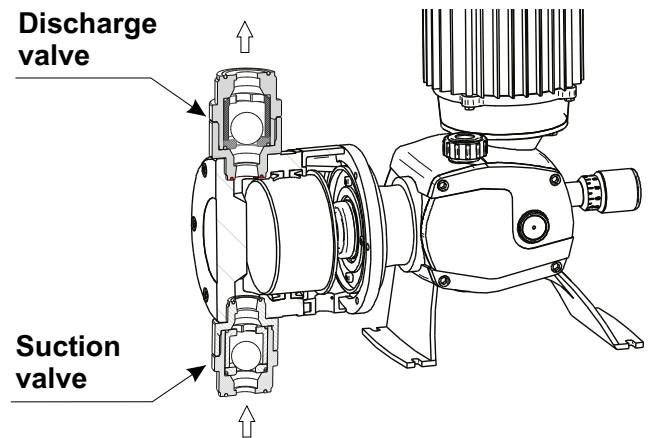


# CHECK VALVE 2" VISCOUS PRODUCTS

D50 013

## TECHNICAL FEATURES

Max. flow: 1600l/h  
 Connection thread : 2"



## LIST OF PARTS

SODA.: Glass sodium-calcium

Body	PP	
Seal (o-ring)	FPM	
Ball	SODA.	AISI 316

Body	PP	
Seal (o-ring)	FPM	
Ball	SODA.	AISI 316

**DISCHARGE**

	61-866-P	61-890-P
	71369	71369
	61824-P	61824-P
	61827-P	61827-P
	61333	61334
	61828-P	61828-P
	71369	71369
	61829-P	61829-P
	61808	61808

**DISCHARGE WITH SPRING**

	61-877-P	61-892-P
	71369	71369
	61824-P	61824-P
	61831	61831
	61827-P	61827-P
	61333	61334
	61828-P	61828-P
	71369	71369
	61829-P	61829-P
	61808	61808

**SUCTION**

	61-876-P	61-891-P
	61808	61808
	61829-P	61829-P
	61827-P	61827-P
	61333	61334
	61828-P	61828-P
	71369	71369
	61824-P	61824-P
	71369	71369

Discharge with spring 0.4 bars opening