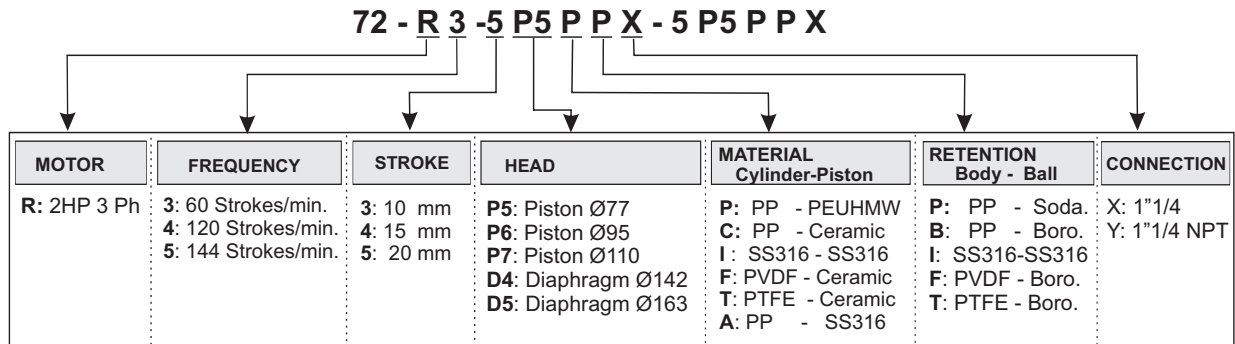


## CODE FORMULATION



## FLOW -PRESSURE

	CODE	FLOW 50Hz		FLOW 60Hz		PRESSURE		
		l/h	GPH	l/h	GPH	bar	PSI	
PISTON 	1 HEAD	72-R3-5P5_	330	87	396	104	12	174
		72-R3-5P6_	500	132	600	158	8	116
		72-R4-5P5_	660	174	800	211	12	174
		72-R3-5P7_	665	176	798	211	6	87
		*72-R5-5P5_	800	211	-	-	11	160
		72-R4-5P6_	1000	264	1200	317	8	116
		*72-R5-5P6_	1200	317	-	-	7	100
		72-R4-5P7_	1330	351	1600	422	6	87
	*72-R5-5P7_	1600	422	-	-	5	73	
	2 HEADS	72-R3-5P5_-5P5_	330+330	87+87	396+396	104+104	12	174
		72-R3-5P6_-5P6_	500+500	132+132	600+600	158+158	8	116
		72-R4-5P5_-5P5_	660+660	174+174	800+800	211+211	12	174
		72-R3-5P7_-5P7_	665+665	176+176	798+798	211+211	6	87
		*72-R5-5P5_-5P5_	800+800	211+211	-	-	11	160
		72-R4-5P6_-5P6_	1000+1000	264+264	1200+1200	317+317	8	116
		*72-R5-5P6_-5P6_	1200+1200	317+317	-	-	7	100
72-R4-5P7_-5P7_		1330+1330	351+351	1600+1600	422+422	6	87	
*72-R5-5P7_-5P7_	1600+1600	422+422	-	-	5	73		
DIAPHRAGM 	1 HEAD	72-R3-3D4_	207-267	55-71	249-321	66-85	10	145
		72-R3-3D5_	260-342	69-90	312-411	82-109	7	102
		72-R4-3D4_	415-535	110-141	498-342	132-170	10	145
		72-R3-4D5_	435-522	115-138	522-627	138-166	5	73
		*72-R5-3D4_	498-642	132-170	-	-	10	145
		72-R4-3D5_	520-685	137-181	624-822	165-217	7	102
		*72-R5-3D5_	624-822	165-217	-	-	7	102
		72-R4-4D5_	870-1045	230-276	1044-1254	276-331	5	73
		*72-R5-4D5_	1044-1254	276-331	-	-	5	73
	2 HEADS	72-R3-3D4_-3D4_	415-535	110-141	498-342	132-170	10	145
		72-R3-3D5_-3D5_	520-685	137-181	624-822	165-217	7	102
		72-R4-3D4_-3D4_	830-1070	220-282	996-1284	263-339	10	145
		72-R3-4D5_-4D5_	870-1045	230-276	1044-1254	276-331	5	73
		*72-R5-3D4_-3D4_	996 -1284	263-339	-	-	10	145
		72-R4-3D5_-3D5_	1040-1370	274-362	1248-1644	330-434	7	102
		*72-R5-3D5_-3D5_	1248-1644	330-434	-	-	7	102
		72-R4-4D5_-4D5_	1740-2090	460-552	2088-2508	552-662	5	73
		*72-R5-4D5_-4D5_	2088-2508	552-662	-	-	5	73

\*Can not work at 60Hz

## MATERIALS

Piston	PEUHMW /Ceramic / SS 316
Diaphragm	Elastomer base reinforced with fiber and PTFE clothing
Retention	FPM
Cylinder	PP/ PVDF / SS 316
Valve(body)	PP/ PVDF/ SS 316

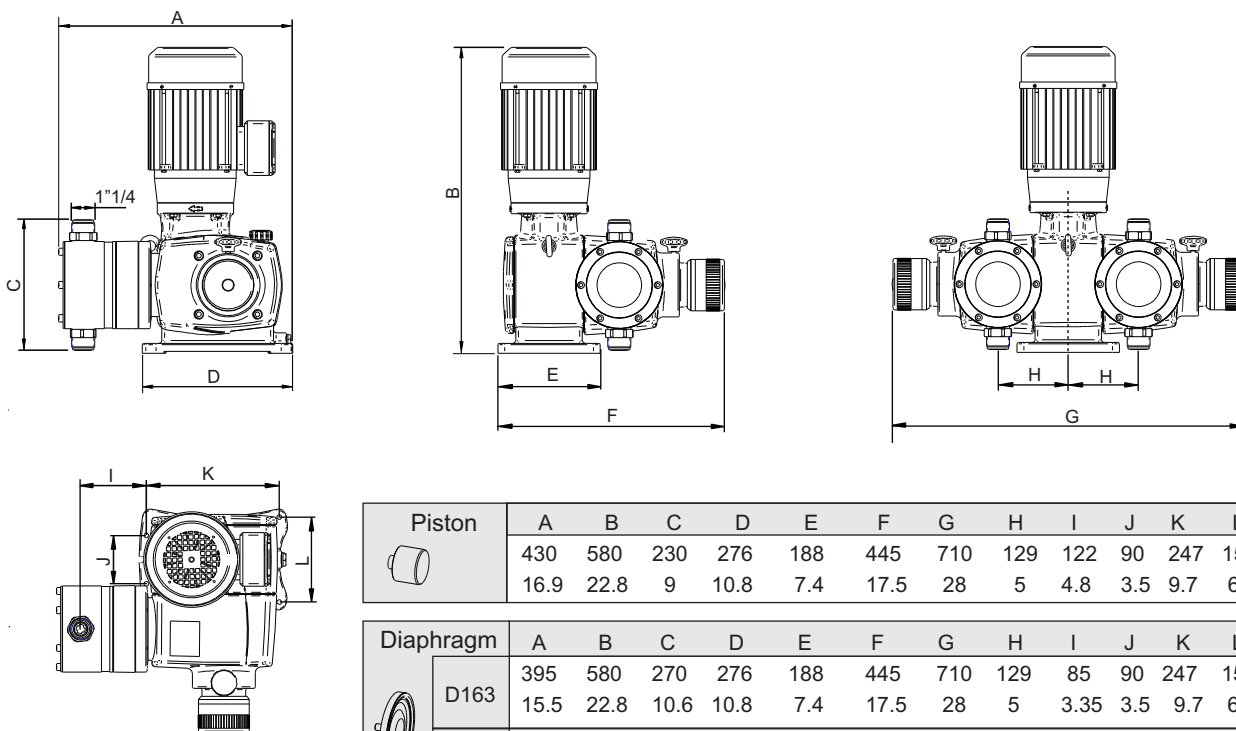
Valve(ball)	Soda lime / Borosilicate / SS 316
Rod	Aluminium.
Ring gear	Bronze
Pinion	F-154 CEM.
Block	Aluminium cast
Shaft	F-154 CEM

## MOTOR

<b>Power</b>	2HP (1.5kW)
<b>Tension</b>	230V-430V
<b>Frequency</b>	50Hz-60Hz
<b>r.p.m.</b>	1450-1680

<b>Proteccion</b>	IP-55
<b>Frame size</b>	M90
<b>Flange</b>	B14
<b>Class</b>	F

## DIMENSIONS



Piston	A	B	C	D	E	F	G	H	I	J	K	L	
	430	580	230	276	188	445	710	129	122	90	247	158	mm
	16.9	22.8	9	10.8	7.4	17.5	28	5	4.8	3.5	9.7	6.2	in
Diaphragm	A	B	C	D	E	F	G	H	I	J	K	L	
	395	580	270	276	188	445	710	129	85	90	247	158	mm
	15.5	22.8	10.6	10.8	7.4	17.5	28	5	3.35	3.5	9.7	6.2	in
	396	580	250	276	188	445	710	129	84	90	247	158	mm
	15.5	22.8	9.8	10.8	7.4	17.5	28	5	3.3	3.5	9.7	6.2	in

## WEIGHT

- 1 HEAD.....48 Kg (105 lb) approximate.
- 2 HEADS.....65Kg (143 lb) approximate.