

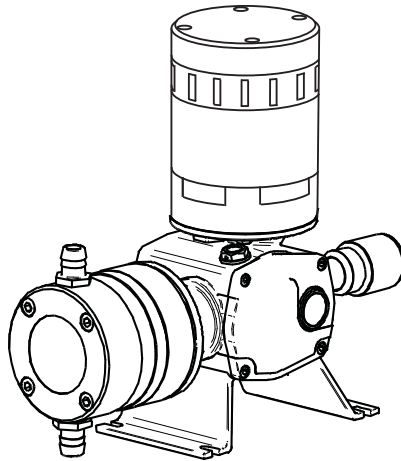


Management System  
ISO 9001:2015



www.tuv.com  
ID: 9105017955

**ITC**   
DOSING PUMPS



# DOSTEC 40 12V-24V DC



**CARACTERÍSTICAS TÉCNICAS**  
**TECHNICAL FEATURES**  
**RENSEIGNEMENTS TECHNIQUES**  
**DATI TECNICI**



*Modelos y presión máxima / Models and maximum pressure /  
Modèles et pression maximale / Modelli e pressione  
massima*

 *Pistón / Piston / Pistone*

| CODIGO<br>CODE<br>CODICES | 130W |      |     |     | 300W |     |     |     |
|---------------------------|------|------|-----|-----|------|-----|-----|-----|
|                           | l/h  | GPH  | bar | PSI | l/h  | GPH | bar | PSI |
| 60- * P33-P24             | 17   | 4.5  | 15  | 217 | -    | -   | -   | -   |
| 60- * P34-P24             | 27   | 7.1  | 15  | 217 | -    | -   | -   | -   |
| 60- * P44-P24             | 50   | 13.2 | 15  | 217 | -    | -   | -   | -   |
| 60- * P44-P34             | 100  | 26.4 | 8   | 116 | 110  | 29  | 15  | 217 |
| 60- * P53-P49             | 144  | 38   | 5   | 72  | -    | -   | -   | -   |
| 60- * P44-P49             | 200  | 53   | 3.5 | 51  | 205  | 54  | 10  | 145 |
| 60- * P44-P61             | -    | -    | -   | -   | 315  | 83  | 6   | 87  |
| 60- * P44-P77             | -    | -    | -   | -   | 500  | 132 | 4   | 58  |

 *Membrana / Diaphragm / Membrane*

| CODIGO<br>CODE<br>CODICES | 130W    |            |     |     | 300W    |           |     |     |
|---------------------------|---------|------------|-----|-----|---------|-----------|-----|-----|
|                           | l/h     | GPH        | bar | PSI | l/h     | GPH       | bar | PSI |
| 60- * D31-D69             | 17.5-25 | 4.6 - 6.6  | 15  | 217 | -       | -         | -   | -   |
| 60- * D41-D69             | 32-50   | 8.4 - 13.2 | 15  | 217 | -       | -         | -   | -   |
| 60- * D42-D69             | 57-85   | 15-22.5    | 10  | 145 | -       | -         | -   | -   |
| 60- * D43-D69             | 66-100  | 17.5-26.4  | 10  | 145 | -       | -         | -   | -   |
| 60- * D51-D95             | 87-115  | 23-30.4    | 8   | 145 | -       | -         | -   | -   |
| 60- * D42-D95             | 130-160 | 34.3-42.2  | 5   | 72  | 140-180 | 37-47.5   | 8   | 116 |
| 60- * D43-D95             | 150-190 | 39.6-50.2  | 5   | 72  | 160-215 | 42.2-56.8 | 8   | 116 |
| 60- * D42-D115            | 220-260 | 58-68.7    | 3   | 43  | 240-300 | 63.5-79.2 | 5   | 72  |
| 60- * D43-D115            | 255-310 | 67.3-82    | 3   | 43  | 280-355 | 74-93.8   | 5   | 72  |

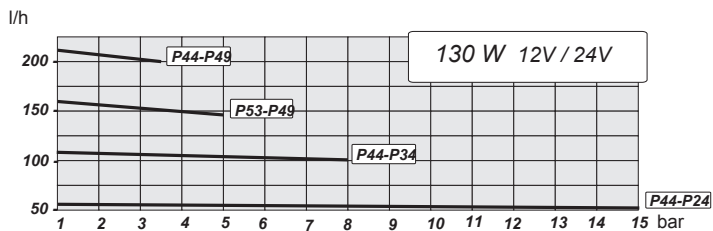
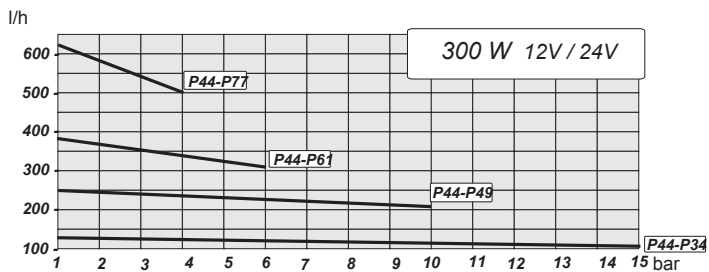
\* **Motor / Moteur / Motore** D :12V DC 130W  
E : 12V DC 300W  
F : 24V DC 130W  
G : 24V DC 300W

# Gráficas / Graphics / Grafici / Graphiques

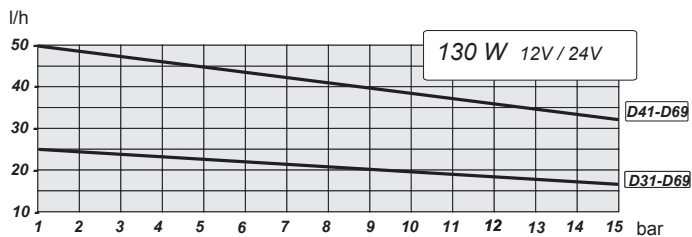
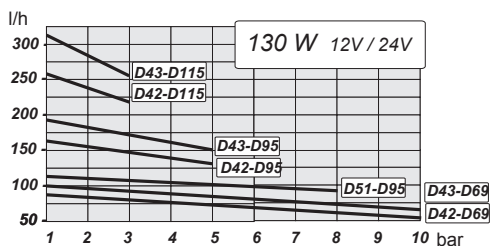
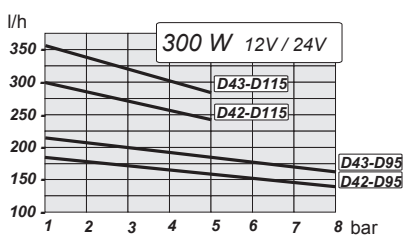
## Caudal / Flow / Débit / Portata



### Pistón / Piston / Pistone



### Membrana / Diaphragm / Membrane / Membrana



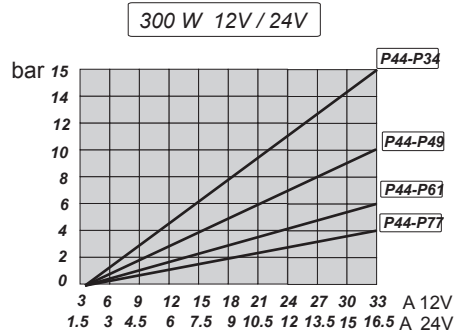
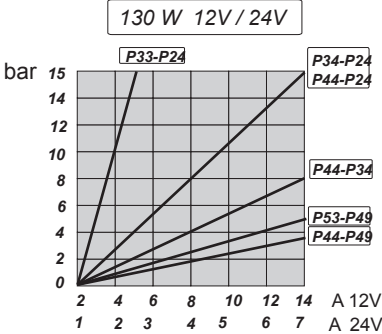


# Gráficas / Graphics / Grafici / Graphiques

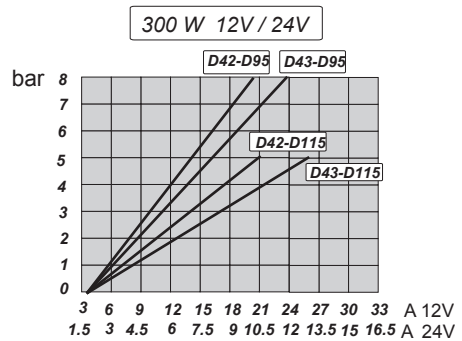
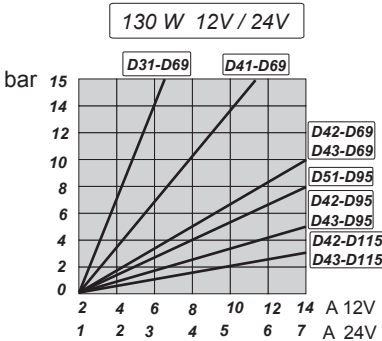
## Intensidad / Intesity / Intensité / Intensità



Pistón / Piston / Pistone



Membrana / Diaphragm / Membrane / Membrana



Motor / Motor / Moteur / Motore

Voltaje / Voltage / Voltaggio /

12 V DC

24 V DC

Potencia / Power / Puissance / Potenza

130 W...300 W

130 W.....300 W

R.p.m

1500 .....1500

1500 .....1500

Intensidad máx. Pico / Max. Intensity value /

Intensité max. pointe / Intesità massima punta

15A.....34A

6,5A.....16A

Intensidad fusible / Fuse intensity /

Intensité fusible / Intesità fusibile

8A.....16A

5A.....8A



*Conexión eléctrica / Electrical connection /  
Raccordement électrique / Allacciamento elettrico*



- +....Cable rojo(fusible) / Red wire(fuse) / Cable rouge (fusible) /  
Filo rosso(fusibile)
- ...Cable negro / Blak wire / Cable noir / Filo nero

*Cálculo sección cable / Wire section calculations / Calcul section  
du cable / Calcolo sezione filo*

$$S=2 \times R \times I \times L/\Delta V$$

**S= Sección cable / wire section / section du cable / sezione filo (mm<sup>2</sup>)**

**R=Resistencia conductor / conductor resistance / résistance conducteur  
/resistenza conduttore (Cu=0,018 mm<sup>2</sup>/m)**

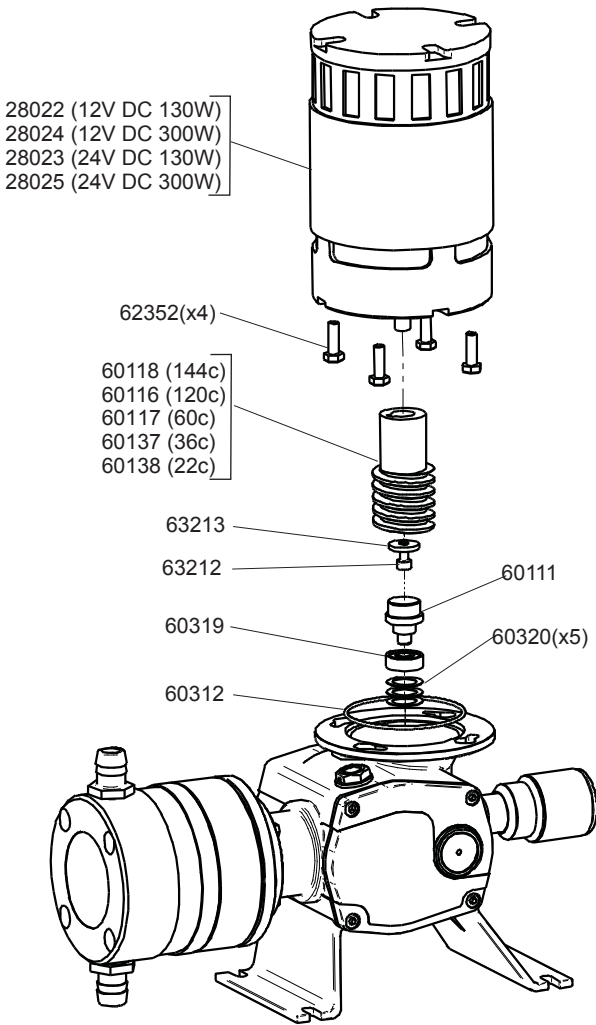
**I= intensidad / intensity / intensité / intensità (A)**

**L= Longitud cable / wire length / longueur cable / lunghezza filo (m)**

**ΔV = Caída de tensión admisible / allowable voltage drop / tombé de tension**



# Mantenimiento / Maintenance / Entretien / Manutenzione



Manual original

Ed:25/03/2019 ES,EN, FR, IT

---



C/ Vallès, 26 Pol. Ind. Can Bernades - Subirà  
P.O. Box 60  
08130 Santa Perpètua de Mogoda  
BARCELONA

*Tel. 93 544 30 40 Fax 93 544 31 61*  
*e-mail: [itc@itc.es](mailto:itc@itc.es) [www.itc-dosing-pumps.com](http://www.itc-dosing-pumps.com)*