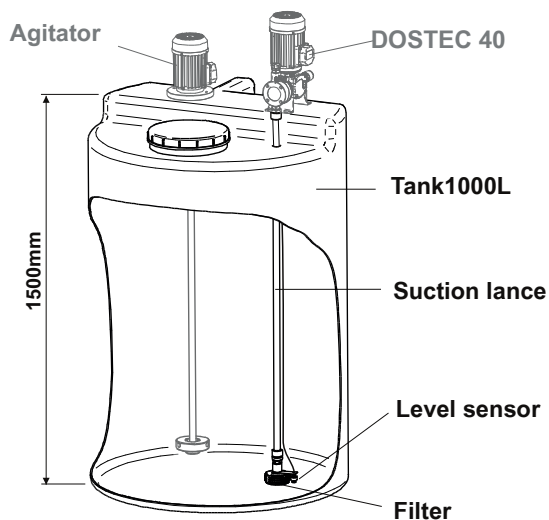


# DOSING STATION 1000L

## DOSTEC 40 (500l/h max.)

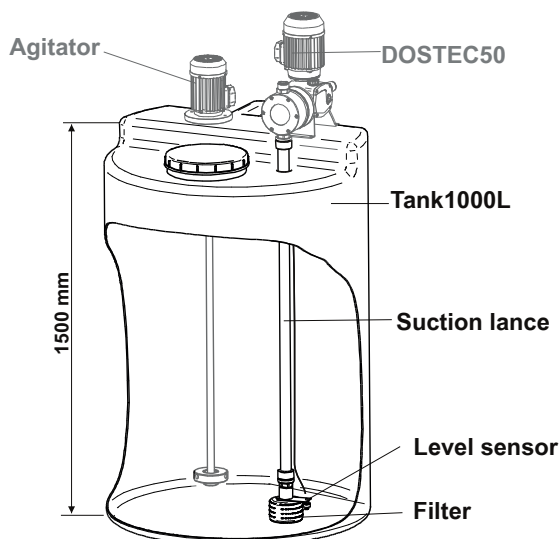


### Code formulation

8 7 - M 2 0 - P 1500 - L A  
I R N B

<b>Filter</b>
R: Polypropylene filter I: AISI 316
<b>Level sensor</b>
L: With level sensor N: Withjout level sensor
<b>Pre-installation</b>
A: pre-installation Agitator and Pump B: pre-installation Pump

## DOSTEC 50 (750l/h max.)

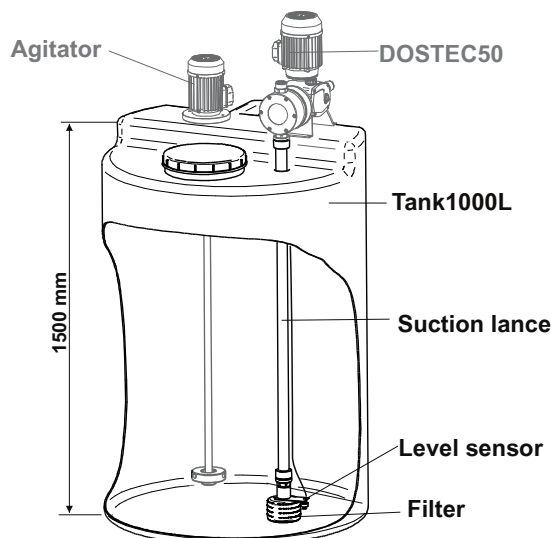


### Code formulation

8 7 - X 3 2 - P 1500 - L A  
N B

<b>Level sensor</b>
L: With level sensor N: Withjout level sensor
<b>Pre-installation</b>
A: pre-installation Agitator and Pump B: pre-installation Pump

## DOSTEC 50 (1000l/h max.)



### Code formulation

8 7 - X 4 0 - P 1500 - L A  
N B

<b>Level sensor</b>
L: With level sensor N: Withjout level sensor
<b>Pre-installation</b>
A: pre-installation Agitator and Pump B: pre-installation Pump