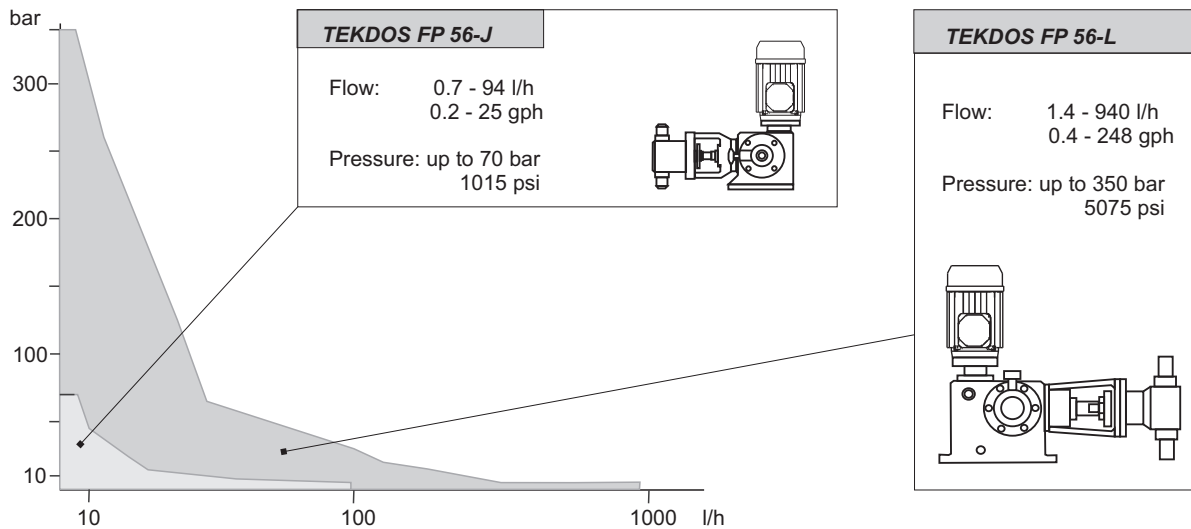


DESCRIPTION

Tekdos FP series are plunger dosing pumps for continuous operation under hard process conditions.

SERIES: TEKDOS 56-J , TEKDOS 56-L



CODE FORMULATION

56 - L P 4 6 - P 22 I I K - Ex

| MOTOR | HEAD | FREQUENCY | STROKE | Ø PLUNGER | DOSING HEAD | CONNECTION | ATEX |
|------------------------------|------------|---|----------------------|--|----------------|--|--------------|
| J: 0.25Hp 3 Ph L: 1Hp 3Ph | P: Plunger | 3: 50 Strokes/min. 4: 100 Strokes/min. 5: 150 Strokes/min. 6: 200 Strokes/min. | 3: 12 mm 4: 24 mm | P5: Ø 5 mm P8: Ø 8 mm P11: Ø 11 mm P16: Ø16 mm D22: Ø22 mm D32: Ø32 mm D40: Ø40 mm D46: Ø46 mm D64: Ø64 mm D80: Ø80 mm D90: Ø90 mm | II : AISI 316L | J: 1/4" K: 1/2" O: 1" X: 1 1/4" | EEx de IICT4 |

FLOW -PRESSURE

| | CODE | FLOW 50Hz | | 60Hz | | PRESSURE | | CONNECTION (DB = double ball) | MOTOR | |
|-----------------------|-----------------------|-----------|------|------|------|----------|------|----------------------------------|-------|------|
| | | l/h | gph | l/h | gph | bar | psi | | Kw | Hp |
| TEKDOS FP 56-J | 56-JP33-P5IIJ | 0.7 | 0.2 | 0.8 | 0.2 | 70 | 1015 | 1/4" - 1/4" (DB) | 0.186 | 0.25 |
| | 56-JP43-P5IIJ | 1.4 | 0.4 | 1.7 | 0.4 | 70 | 1015 | 1/4" - 1/4" (DB) | 0.186 | 0.25 |
| | 56-JP33-P8IIJ | 1.9 | 0.5 | 2.3 | 0.6 | 70 | 1015 | 1/4" - 1/4" (DB) | 0.186 | 0.25 |
| | 56-JP43-P8IIJ | 3.7 | 1.0 | 4.4 | 1.2 | 70 | 1015 | 1/4" - 1/4" (DB) | 0.186 | 0.25 |
| | 56-JP33-P13IIJ | 5.0 | 1.3 | 6.0 | 1.6 | 45 | 653 | 1/4" - 1/4" (DB) | 0.186 | 0.25 |
| | 56-JP33-P17IIJ | 8.5 | 2.2 | 10.2 | 2.7 | 26 | 377 | 1/4" - 1/4" (DB) | 0.186 | 0.25 |
| | 56-JP43-P13IIJ | 9.9 | 2.6 | 11.9 | 3.1 | 45 | 653 | 1/4" - 1/4" (DB) | 0.186 | 0.25 |
| | 56-JP33-P22IIJ | 14.0 | 3.7 | 16.8 | 4.4 | 16 | 232 | 1/4" - 1/4" (DB) | 0.186 | 0.25 |
| | 56-JP43-P17IIJ | 17.0 | 4.5 | 20.4 | 5.4 | 26 | 377 | 1/4" - 1/4" (DB) | 0.186 | 0.25 |
| | 56-JP43-P22IIJ | 28.0 | 7.4 | 33.6 | 8.8 | 16 | 232 | 1/4" - 1/4" (DB) | 0.186 | 0.25 |
| | 56-JP33-P32IIJ | 30.0 | 7.9 | 36.0 | 9.5 | 7.5 | 109 | 1/4" - 1/4" (DB) | 0.186 | 0.25 |
| | 56-JP33-P40IIK | 47.0 | 12.4 | 56.4 | 14.8 | 4.7 | 68 | 1/2" - 1/2" | 0.186 | 0.25 |
| | 56-JP43-P32IIJ | 60.0 | 16.0 | 72.0 | 18.9 | 7.5 | 109 | 1/4" - 1/4" (DB) | 0.186 | 0.25 |
| | 56-JP43-P40IIK | 94.0 | 25.0 | 113 | 29.7 | 4.7 | 68 | 1/2" - 1/2" | 0.186 | 0.25 |

| | CODE | FLOW 50Hz | | 60Hz | | PRESSURE | | CONNECTION (DB = double ball) | MOTOR | |
|-----------------------|-----------------------|-----------|------|------|------|----------|---------------|----------------------------------|-------|----|
| | | l/h | gph | l/h | gph | bar | psi | | Kw | Hp |
| TEKDOS FP 56-L | 56-LP36-P5IIJ | 1.4 | 0.4 | 1.7 | 0.4 | 350 | 5075 | 1/4" - 1/4" (DB) | 0.75 | 1 |
| | 56-LP36-P8IIJ | 3.7 | 1.0 | 4.4 | 1.2 | 350 | 5075 | 1/4" - 1/4" (DB) | 0.75 | 1 |
| | 56-LP36-P11IIJ | 7.0 | 1.8 | 8.4 | 2.2 | 263 | 3814 | 1/4" - 1/4" (DB) | 0,75 | 1 |
| | 56-LP46-P8IIJ | 7.4 | 2.0 | 8,9 | 2,3 | 350 | 5075 | 1/4" - 1/4" (DB) | 0,75 | 1 |
| | 56-LP46-P11IIJ | 14,0 | 3,7 | 16,8 | 4,4 | 263 | 3814 | 1/4" - 1/4" (DB) | 0,75 | 1 |
| | 56-LP36-P16IIJ | 14,5 | 3,8 | 17,4 | 4,6 | 124 | 1798 | 1/4" - 1/4" (DB) | 0,75 | 1 |
| | 56-LP36-P22IIK | 28,0 | 7,4 | 33,6 | 8,9 | 65 | 942 | 1/2"-1/2" (DB) | 0,75 | 1 |
| | 56-LP46-P16IIJ | 29,0 | 7,7 | 34,8 | 9,2 | 124 | 1798 | 1/4"-1/4" (DB) | 0,75 | 1 |
| | 56-LP46-P22IIK | 56,0 | 14,8 | 67,2 | 17,7 | 65 | 942 | 1/2"-1/2" (DB) | 0,75 | 1 |
| | 56-LP36-P32IIK | 60,0 | 15,8 | 72,0 | 19,0 | 31 | 450 | 1/2"-1/2" (DB) | 0,75 | 1 |
| | 56-LP36-P40IIK | 93,0 | 24,6 | 112 | 29,5 | 20 | 290 | 1/2"-1/2" (DB) | 0,75 | 1 |
| | 56-LP46-P32IIK | 119 | 31,4 | 143 | 37,7 | 31 | 450 | 1/2"-1/2" (DB) | 0,75 | 1 |
| | 56-LP36-P46IIK | 123 | 32,5 | 148 | 39,0 | 15 | 217 | 1/2"-1/2" (DB) | 0,75 | 1 |
| | 56-LP46-P40IIK | 185 | 48,9 | 222 | 58,6 | 20 | 290 | 1/2"-1/2" (DB) | 0,75 | 1 |
| | 56-LP36-P64IIO | 240 | 63,4 | 288 | 76,1 | 7,5 | 109 | 1"-1" | 0,75 | 1 |
| | 56-LP46-P46IIK | 245 | 64,7 | 294 | 77,6 | 15 | 217 | 1/2"-1/2" (DB) | 0,75 | 1 |
| | 56-LP36-P80IIX | 372 | 98,2 | 446 | 118 | 5 | 72,5 | 1 1/4"-1 1/4" | 0,75 | 1 |
| | 56-LP36-P90IIX | 470 | 124 | 564 | 149 | 4 | 58 | 1 1/4"-1 1/4" | 0,75 | 1 |
| | 56-LP46-P64IIO | 479 | 126 | 575 | 152 | 7,5 | 109 | 1" - 1" | 0,75 | 1 |
| | 56-LP46-P80IIX | 743 | 196 | 892 | 235 | 5 | 72,5 | 1 1/4"-1 1/4" | 0,75 | 1 |
| 56-LP46-P90IIX | 940 | 248 | 1128 | 298 | 4 | 58 | 1 1/4"-1 1/4" | 0,75 | 1 | |

MATERIALS

| | |
|---------------|-------------------------|
| Plunger | AISI 316L |
| Packing seals | Aramid- Graphite / PTFE |
| Cylinder | AISI 316L |
| Valve | AISI 316L |
| Block | Grey cast iron |

TEMPERATURE

| | |
|-------------|------------------------------|
| Min. | -5 °C 23°F |
| Max. | 200°C 392°F |

MOTOR

| | |
|------------------|----------------------------------|
| Power | 0.185 / 0.75 Kw 0.25 / 1.0 Hp |
| Voltage | 230V-430V |
| Frequency | 50Hz-60Hz |

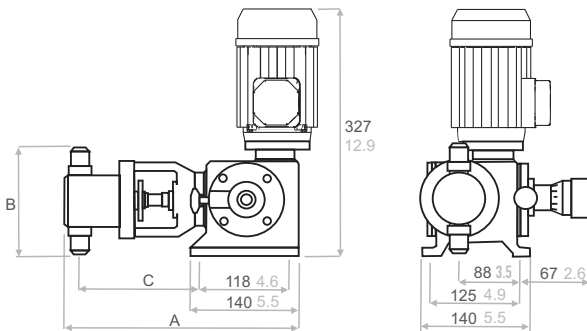
| | |
|-------------------------|----------------|
| R.p.m. | 1450-1680 |
| Protection Class | IP-55 |
| Frame | F M80 - B14 |

ATEX

| |
|----------------------|
| II 2G/D EEx de IICT4 |
| |

DIMENSIONS

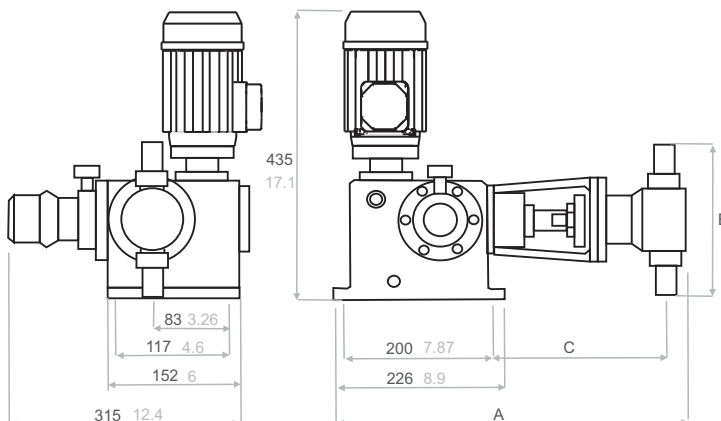
TEKDOS FP 56-J



| Ø PLUNGER | P5 | P8 | P13 | P22 | P32 | P40 |
|-----------|------|------|------|------|------|------|
| mm | | | | | | |
| A | 285 | 285 | 285 | 300 | 300 | 345 |
| B | 142 | 142 | 142 | 146 | 151 | 240 |
| C | 135 | 135 | 135 | 150 | 150 | 183 |
| inch | | | | | | |
| A | 11.2 | 11.2 | 11.2 | 11.8 | 11.8 | 13.6 |
| B | 5.6 | 5.6 | 5.6 | 5.7 | 5.9 | 9.5 |
| C | 5.6 | 5.3 | 5.3 | 5.9 | 5.9 | 7.2 |

Weight (aprox.): 30 Kg (65 lb)

TEKDOS FP 56-L



| Ø PLUNGER | P5 | P8 | P11 | P16 | P22 | P32 | P46 | P64 |
|-----------|------|------|------|------|-----|-----|------|------|
| mm | | | | | | | | |
| A | 446 | 446 | 446 | 446 | 483 | 483 | 491 | 493 |
| B | 141 | 141 | 141 | 141 | 151 | 230 | 230 | 239 |
| C | 214 | 214 | 214 | 214 | 239 | 239 | 247 | 241 |
| inch | | | | | | | | |
| A | 17.5 | 17.5 | 17.5 | 17.5 | 19 | 19 | 19.3 | 19.4 |
| B | 5.5 | 5.5 | 5.5 | 5.5 | 5.9 | 9 | 9 | 9.4 |
| C | 8.4 | 8.4 | 8.4 | 8.4 | 9.4 | 9.4 | 9.7 | 9.5 |

Weight (aprox.): 50 Kg (110 lb)