

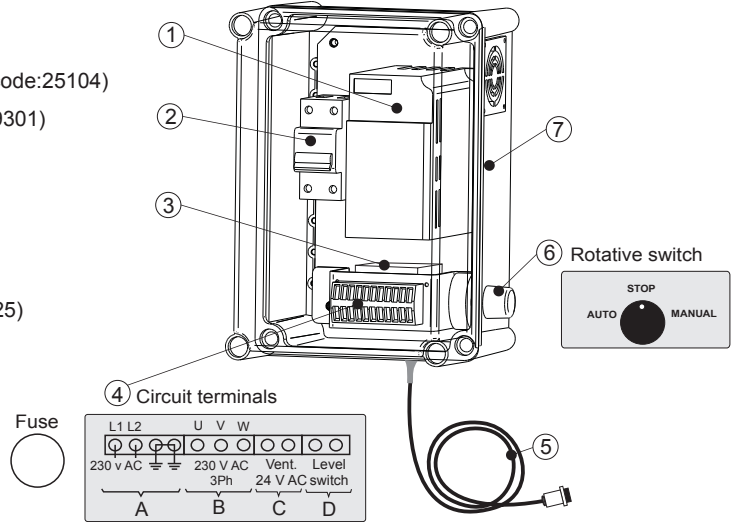
# INVERTER J1000 WITH ENCLOSURE ASSEMBLY

### REFERENCES

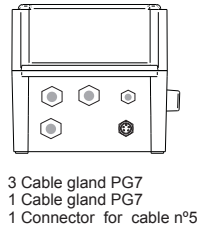
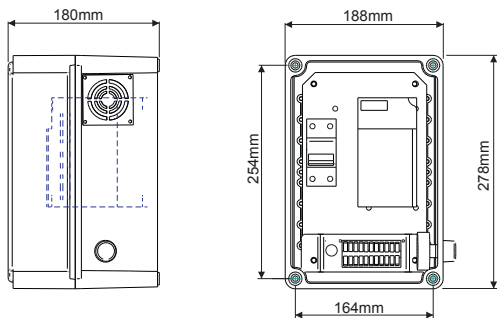
- 29-004** Inverter D40-MF enclosure assembly ( Inverter J1000 0,7CV ref:29002)
- 29-006** Inverter D50 enclosure assembly ( Inverer J1000 1,5CV ref:29009)

### COMPONENTS

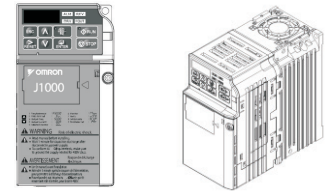
- ① Inverter J1000 (code: 29002 / 29009)
- ② 2-poles circuit breaker MCCB 10A (code:25109) / 16A (code:25104)
- ③ Transformer for additional ventilation 24V 7,3W (code:29301)
- ④ Fuse (0.1A, code: 29602) and circuit terminals
  - A- Power supply 230V 1Ph AC
  - B- Motor 230V 3Ph
  - C- Additional ventilation 24V AC
  - D- Level switch
- ⑤ Cable to connect at ITC controller (5m. cable code:40625)
- ⑥ Rotative switch ( code: 33516)
  - **Auto:** control through 4-20mA signal
  - **Stop:** Stop
  - **Manual:** working at 50Hz
- ⑦ Inverter enclosure protection (code:29-000)



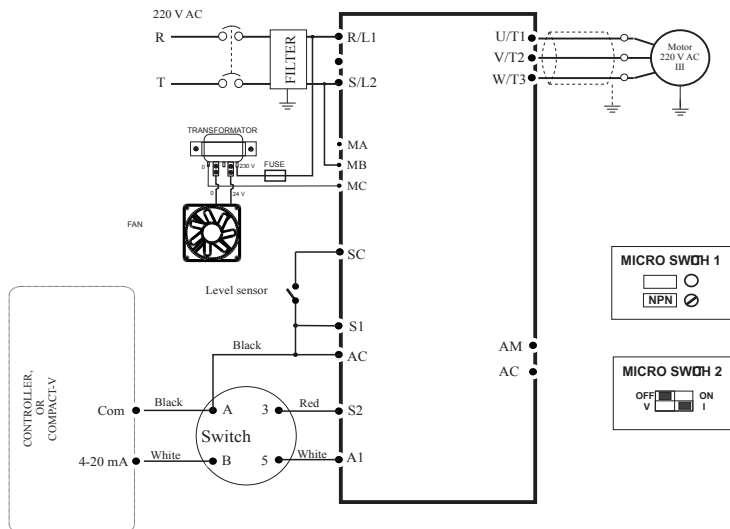
### DIMENSIONS



Inverter Omron J1000



### ELECTRIC DIAGRAM & PARAMETERS TO REGULATE WITH CONTROLLER



### INVERTER IS PROGRAMMED

PARAMETER	Dostec-50		Dostec-40, MF	
	1C.V.	0.5 C.V.	1C.V.	0.5 C.V.
A1-01	0	0		
B1-01	1	1		
B1-02	1	1		
B1-17	1	1		
C1-01	0,1	0,1		
C1-02	0,1	0,1		
C3-01	1,0	1,0		
D1-01	5,0	5,0		
D1-17	50,00	50,00		
E1-01	220	220		
E1-04	60,0*	60,0*		
E1-05	220,0	220,0		
E1-07	5,0	5,0		
E1-08	22,0	30,0		
E1-09	5,0	5,0		
E1-10	22,0	30,0		
E2-01	4,10	2,60		
H1-02	6	6		
H2-01	1	1		
H3-01	2	2		
L1-01	2	2		
O4-01	3	0		
O4-03	1	0		
U2-02	B	0		

To modify the parameter A1-01 = 2, after changing the parameter A1-01 = 0

\* E1-04, To work just up to 50 Hz it is necessary to configure this parameter at 50