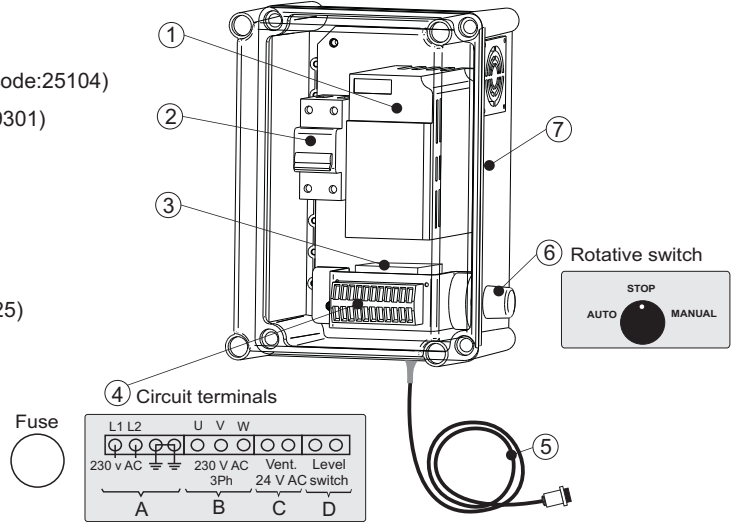


REFERENCES

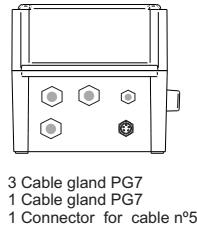
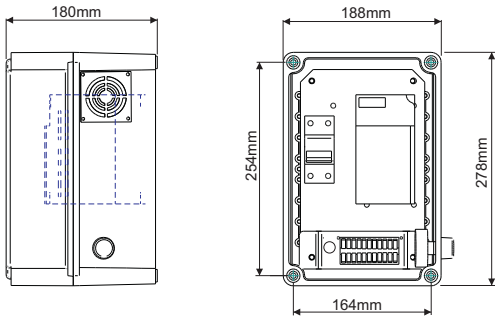
- 29-004 Inverter D40-MF enclosure assembly (Inverter J1000 0,7CV ref:29002)
- 29-006 Inverter D50 enclosure assembly (Inverer J1000 1,5CV ref:29009)

COMPONENTS

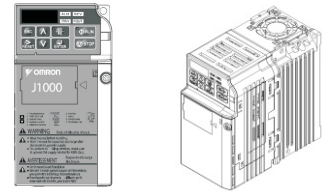
- Inverter J1000 (code: 29002 / 29009)
- 2-poles circuit breaker MCCB 10A (code:25109) / 16A (code:25104)
- Transformer for additional ventilation 24V 7,3W (code:29301)
- Fuse (0.1A, code: 29602) and circuit terminals
 - A- Power supply 230V 1Ph AC
 - B- Motor 230V 3Ph
 - C- Additional ventilation 24V AC
 - D- Level switch
- Cable to connect at ITC controller (5m. cable code:40625)
- Rotative switch (code: 33516)
 - **Auto:** control through 4-20mA signal
 - **Stop:** Stop
 - **Manual:** working at 50Hz
- Inverter enclosure protection (code:29-000)



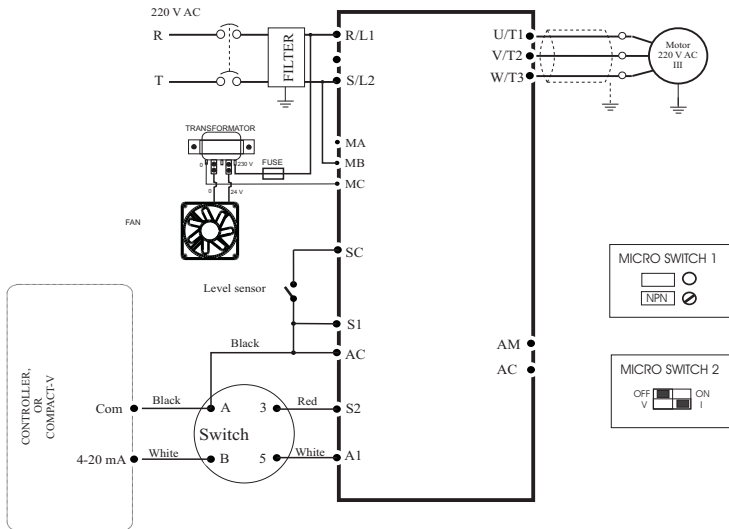
DIMENSIONS



Inverter Omron J1000



ELECTRIC DIAGRAM & PARAMETERS TO REGULATE WITH CONTROLLER



INVERTER IS PROGRAMMED

PARAMETER	Dostec-50	Dostec-40, MF
	1C.V.	0.5 C.V.
A1-01	0	0
B1-01	1	1
B1-02	1	1
B1-17	1	1
C1-01	0,1	0,1
C1-02	0,1	0,1
C3-01	1,0	1,0
D1-01	5,0	5,0
D1-17	50,00	50,00
E1-01	220	220
E1-04	60,0*	60,0*
E1-05	220,0	220,0
E1-07	5,0	5,0
E1-08	22,0	30,0
E1-09	5,0	5,0
E1-10	22,0	30,0
E2-01	4,10	2,60
H1-02	6	6
H2-01	1	1
H3-01	2	2
L1-01	2	2
O4-01	3	0
O4-03	1	0
U2-02	B	0

To modify the parameters **A1-01 = 2**, after changing the parameters, **A1-01 = 0**

* **E1-04**, To work just up to 50 Hz it is necessary to configure this parametre at 50