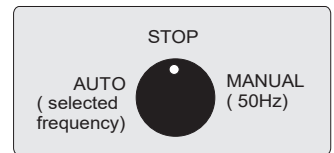


### TECLAS Y FUNCIONES

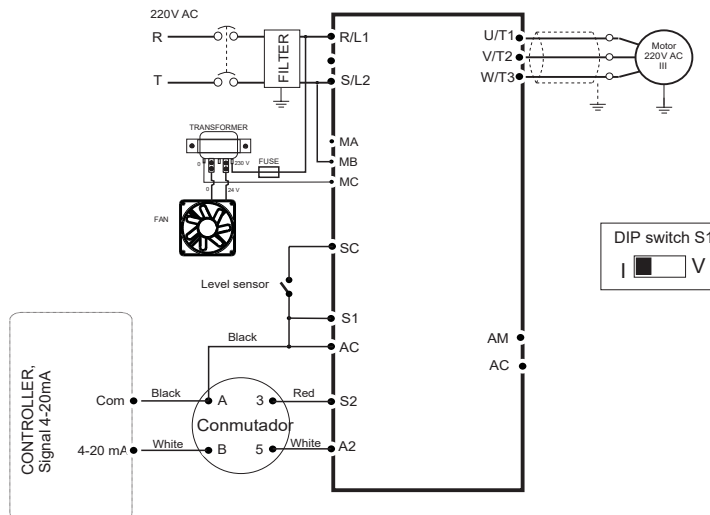
Number	Name	Function
<b>F5000</b>	Data display area	Displays the frequency reference, parameter number, etc.
	ESC key	Returns to the previous menu.
	RESET key	Moves the cursor to the right. Resets a fault. Starts the drive in the LOCAL mode. The Run LED
	RUN key	<ul style="list-style-type: none"> <li>is on, when the drive is operating the motor.</li> <li>flashes during deceleration to stop or when the frequency reference is 0.</li> <li>flashes quickly the drive is disabled by a DI, the drive was stopped using a fast stop DI or a run command was active during power up.</li> </ul>
	Up Arrow key	Scrolls up 10 select parameter numbers, setting values, etc.
	Down Arrow key	Scrolls down to select parameter numbers, setting values, etc.
	STOP key	Stops the drive
	ENTER key	Selects modes, parameters and is used to store settings.
	LO/RE Selection key	Switches drive control between the operator (LOCAL) and the control circuit terminals (REMOTE). The LED is on when the drive is in the LOCAL mode (operation from keypad).
<b>ALM</b>	ALM LED Light	Flashing: The drive is in an alarm state. On: The drive is in a fault state and the output is stopped.
<b>REV</b>	REV LED Light	On: The motor rotation direction is reverse. Off: The motor rotation direction is forward.
<b>DRV</b>	DRV LED Light	On: The drive is ready to operate the motor. Off: The drive is in the Verify, Setup, Parameter Setting or Auto tuning mode.
<b>FOUT</b>	FOUT LED Light	On: The output frequency is displayed on the data screen. Off: Anything else than the output frequency is displayed on the data.



External switch



### WIRING AND PARAMETERS



Parameter	Value	Parameter	Value
A1-01	0	E1-07	220,0
A1-02	2	E2-01	4,60**
B1-01	1	E2-03	2,77
B1-02	1	E2-05	4,068
B1-04	1	E2-07	0,40
B1-07	1	E2-08	0,65
B1-08	1	E2-11	1,10
B1-17	1	H1-02	12
C1-01	1,5	H2-01	1
C1-02	1,5	H3-02	F
C3-01	2,3	L1-01	2
D1-17	50,00	L5-05	1
E1-04	60,0*	O1-02	1
E1-05	220,0	O1-03	0***
E1-06	60,0*	O1-10	6000***
E1-07	5,0	O1-11	2***
E1-08	24,0	T1-02	1,10
E1-09	5,0	T1-03	220,0
E1-10	24,0	T1-04	4,67**

change parameters go to menu PA r

A1-01 = 0 , block parameters A 1-01 = 2, unblock parameters

\* E1-04, E1-06 To work just up to 50 Hz is necessary to configure these parameters

\*\*E2-01, y T1-04 Change these parameters depending on the motor  
1HP = 3.6  
1,5HP = 4.6

\*\*\* To read liters injected, modify depending on the flow of the pump:

O1-03 = 3

O1-11 = 0

O1-10:

Nominal flow l/h (50Hz): 2000 1750 1500 1250 1000 750 500

O1-10 for maximum freq. 50Hz: 2000 1750 1500 1250 1000 750 500

O1-10 for maximum freq. 60Hz: 2400 2100 1800 1500 1200 900 600