

WTR PRO: TECHNICAL FEATURES

Power Supply:

230VAC (+/-10%) 50/60Hz

12V DC

Protection: IP65

Working Temperature: 0 -45°C

Relative Humidity max: 95% (without Condensation)

Inputs:

-Flow: Pulses Input optically insulated for high-Frequency Flow Meters (padlewheel or electromagnetic)

- PH: Input optically insulated for connecting a pH sensor. Temperature compensated

- REDOX: Input optically insulated for connecting a Redox sensor.

- Temperature: Pt100

Outputs:

-2 analogue Outputs 4-20mA for Dosing Pumps. Control output with PI adjustment

-2 analogue Outputs 4-20mA for register flow, pH or Redox

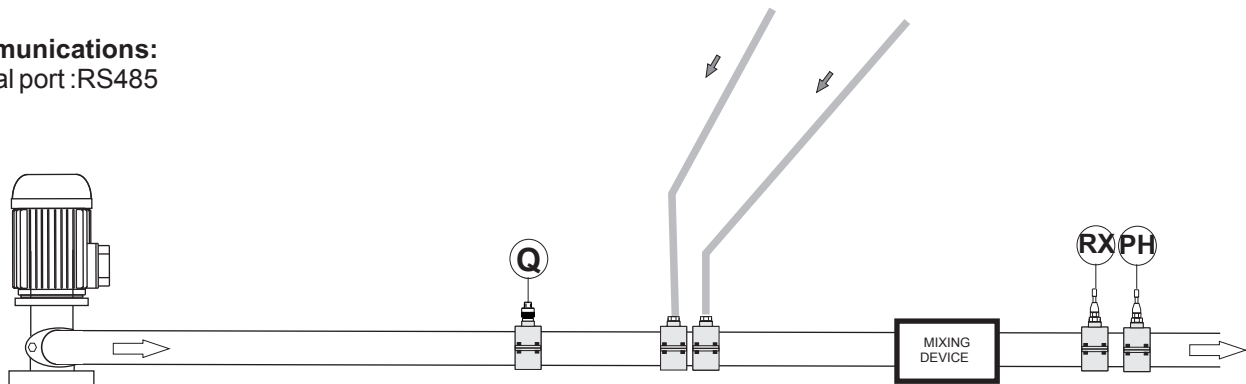
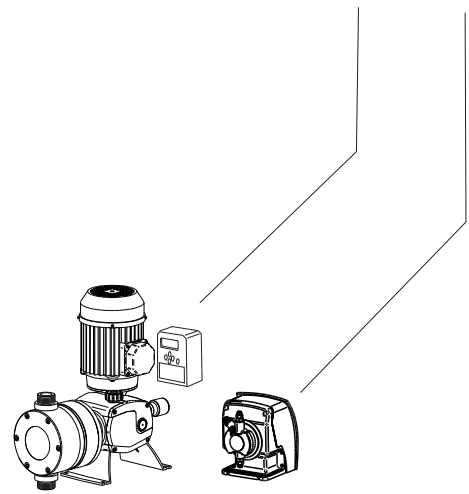
- Flow Alarm Output: Relay Output NO. 24 VAC -1A max.

- PH Alarm Output: Relay Output NO. 24 VAC -1A max.

- REDOX Alarm Output: Relay Output NO. 24 VAC -1A max.

Communications:

- Serial port :RS485



Dimensions

